



ATD-5008 Lever Action Dispenser Owner's Manual

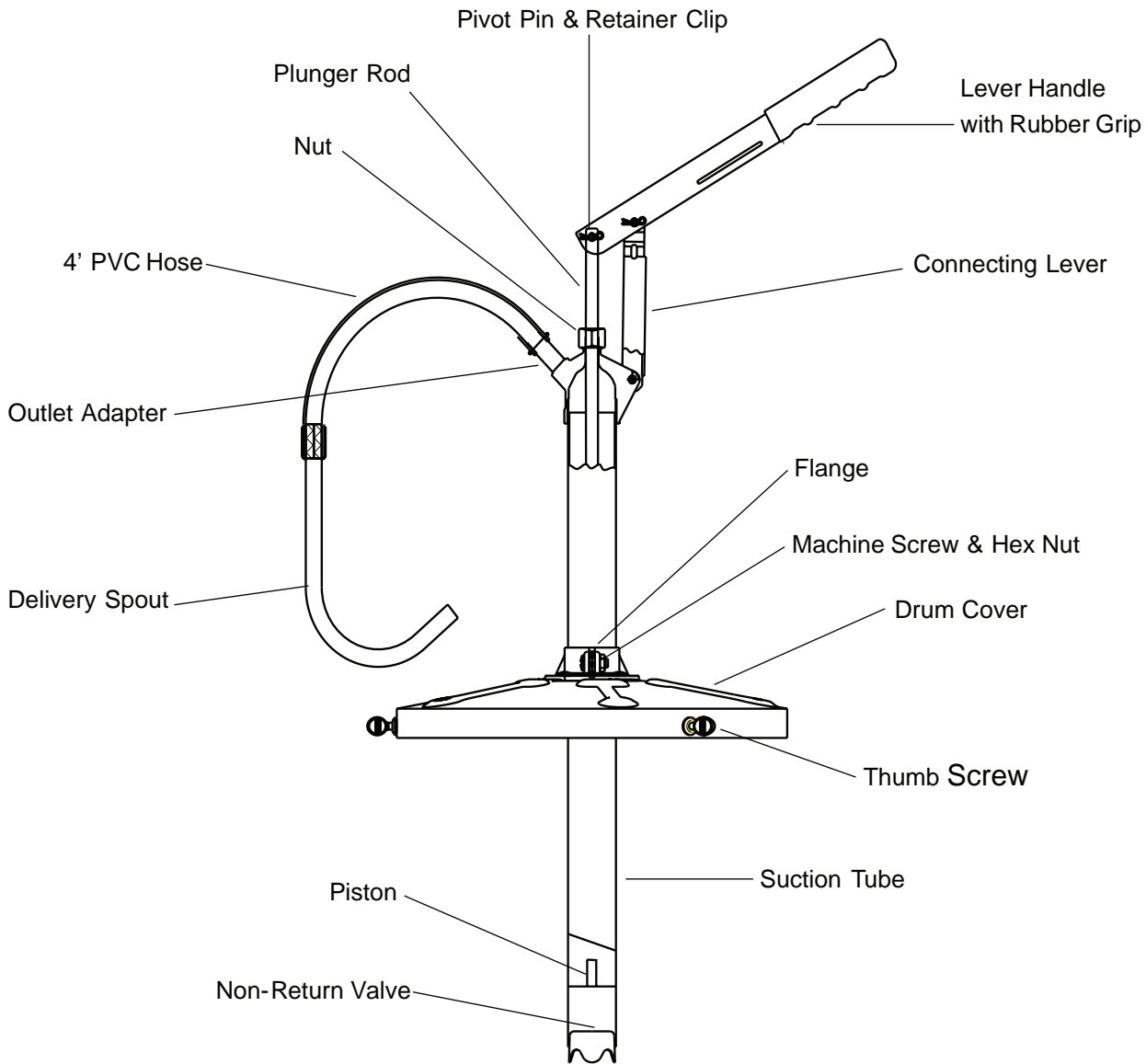


Features:

- For transfer of transmission, differential and heavier oils from open cover drums
- Includes 48" hose with nozzle, 18" pump and 12" drum cover for 25-50 lbs. (5 gal.) pails
- Zinc-plated pump body with aluminum die-cast head and adjusting flange
- Powder coated steel drum cover
- Wear resistant brass piston rings
- Complete with 4 ft. fuel resistant soft PVC hose with nozzle for efficient discharge
- 2.14 oz. per stroke

Specifications:

- Discharge Rate: Up to 60 mL (2.14 oz) per stroke
- Mechanism: Lever action
- Hose Length: 48"
- Outlet Size: 1/4" NPT
- Container Size: 25-50 lbs. / 5 gal. / 20 Liters
- Drum Cover Diameter: 12" (310 mm)
- Pump Length: 18" (450 mm)



ASSEMBLY & OPERATION

1. Place the drum cover assembly over the container. Hand tighten the three thumb screws evenly onto the drum cover assembly to fix the drum cover firmly onto the container.
2. Pull the plunger rod of piston sub assembly up. Attach the lever handle to the piston rod using the pivot pin and retainer clip.
3. Push the pump tube assembly down through the die cast flange of the drum cover until the pump tube rests onto the base of the container. Ensure that the tube assembly touches the base of the container.
4. Tighten the machine screw and the hex nut in the flange assembly to hold the pump assembly firmly in place. Do not over tighten the screw and nut.
5. Screw the adapter onto the pump outlet. Do not over tighten. Use a thread sealant to prevent leakage.
6. Screw the hose assembly onto the outlet end of the adapter.
7. Now the pump is ready. Start the pump by moving the lever handle. Priming is a process of getting the pump started by operating the pump a few times. If there is any difficulty in priming, put some oil in the pump outlet and keep operating the lever handle until the discharge begins.
8. Pierce open a hole on the drum cover using a pin punch. When the pump is not in use, place the hose assembly into this hole.

TROUBLESHOOTING

Problem	Possible Cause	Corrective Action
Pump fails to prime	Priming is needed	Pour a few drops of the fluid being dispensed into the pump outlet. Start the pump by moving the lever with several quick strokes
Pump does not dispense the fluid	Blockage in the suction line	Remove the pump from the drum and ensure that suction tube & non-return valve is free of any blockage

SPECIFICATIONS

Discharge Rate	Up to 60 mL (2.14 oz.) per stroke
Mechanism	Lever Action
Hose Length	48"
Outlet Size	1/4" NPT
Container Size	25-50 lbs./ 5 gal./ 20 Liters
Drum Cover Dia.	12" (310 mm)
Pump Length	18" (450 mm)



WARNING:

The pump is constructed using plated steel components. It should never be used to transfer fluids that may cause the pump to rust.



WARNING:

Keep work area clean and remove any excess oil from tools, hands, and clothing after use.

WETTED COMPONENTS

Steel, aluminum, zinc, brass, NBR, PVC

RECOMMENDED USE

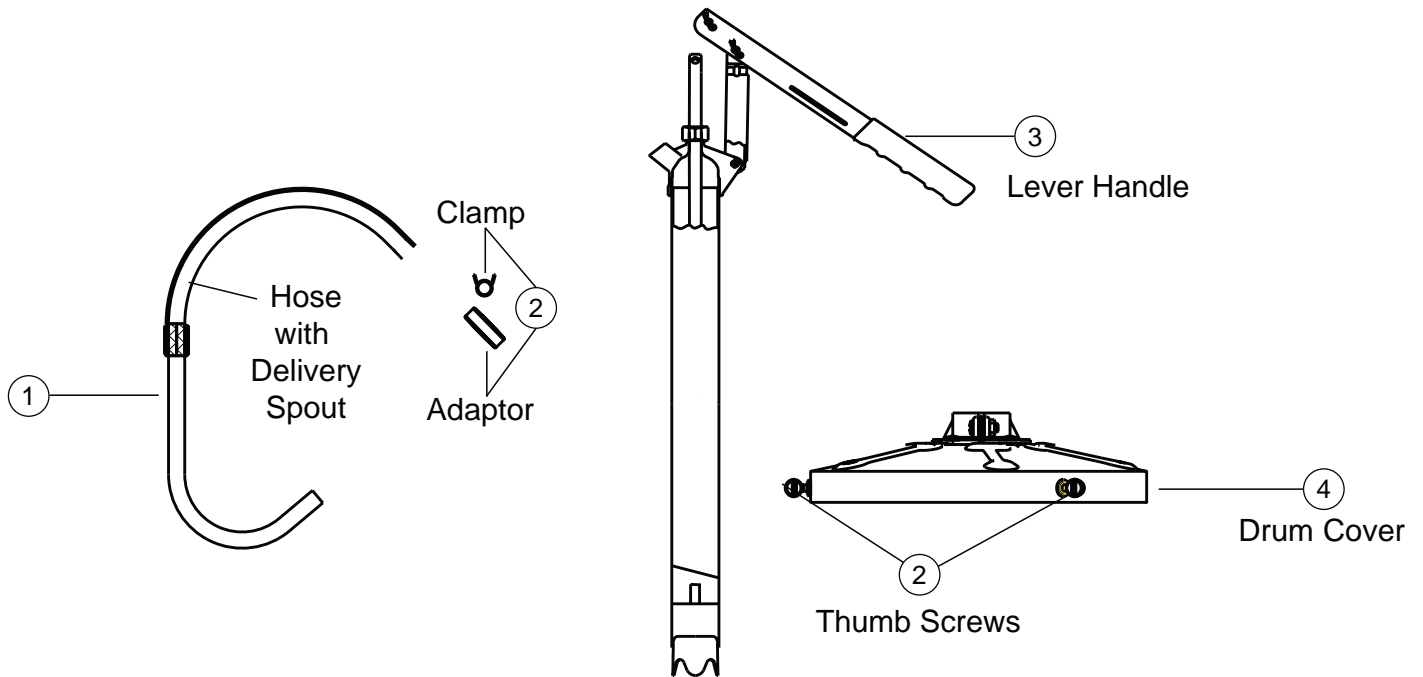
Transmission differentials and heavier oils

DO NOT USE WITH

Chemicals, acids, water based fluids & other corrosive media etc.

REPLACEMENT PARTS

Not all components of this pump are replacement items, but are illustrated as a convenient reference for position in the assembly sequence. When ordering parts, give model number, part number and description. Call your distributor for current pricing:



ITEM#	ORDERING PART#	PART DESCRIPTION
1	PRT5008-06	VINYL HOSE WITH STEEL DELIVERY SPOUT
2	PRT5008-08-16	ADAPTOR, THUMB SCREWS, HOSE CLAMP KIT
3	N/A	LEVER HANDLE
4	N/A	DRUM COVER



ATD[®]

WARRANTY

1 YEAR LIMITED WARRANTY

THIS WARRANTY AND CONFIRMED RECEIPT(S) SHOULD BE RETAINED BY THE CUSTOMER AT ALL TIMES

PURCHASED FROM: _____

DATE PURCHASED: _____

INVOICE/RECEIPT NUMBER: _____

Your ATD-5008 is warranted for a period of 12 months from the original purchase date.

For a period of one (1) year from your purchase date, ATD Tools, Inc. will repair or replace (at its option) without charge, your ATD product if it was purchased new and the product has failed due to a defect in material or workmanship which you experienced during normal use of the product. This limited warranty is your exclusive remedy.

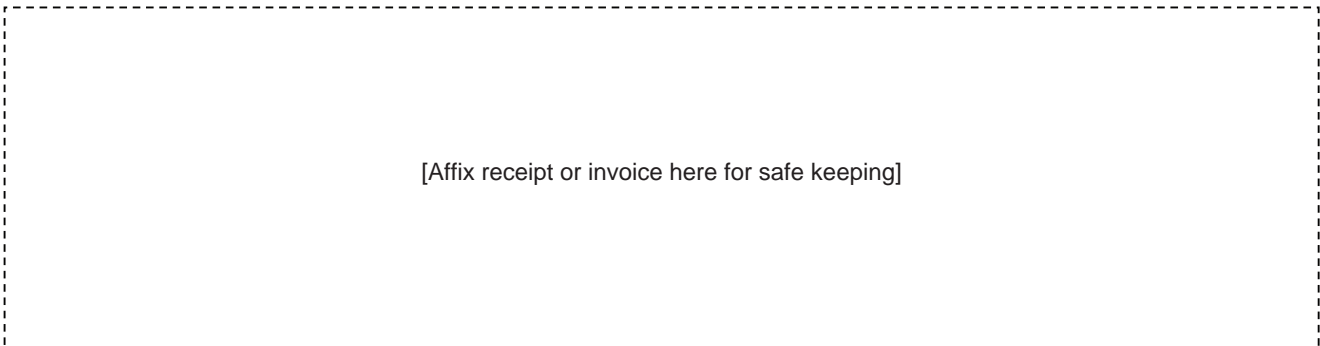
To access the benefits of this warranty, contact your supplier, or point of sale directly. You may be advised to return the product under warranty, freight prepaid, to your supplier for warranty determination.

If this ATD product is altered, abused, misused, modified, or undergoes service by an unauthorized technician, your warranty will be void. We are not responsible for damage to ornamental designs you place on this ATD product and such ornamentation should not cover any warnings or instructions or they may void the warranty. This warranty does not cover scratches, superficial dents, and other abrasions to the paint finish that occur under normal use. It also does not cover normal wear items such as but not limited to brushes, batteries, drill bits, drill chucks, pads or blades.

Subject to the law in your state:

- (1) Your sole and exclusive remedy is repair or replacement of the defective product as described above.
- (2) ATD is not liable for any incidental damages, including but not limited to, lost profits and unforeseeable consequences.
- (3) The repair and replacement of this product under the express limited warranty described above is your exclusive remedy and is provided in lieu of all other warranties, express or implied. All other warranties, including implied warranties and warranties of merchantability or fitness for a particular purpose are disclaimed and, if disclaimer is prohibited, these warranties are limited to one year from your date of purchase of this product.

Some states' laws do not allow limited durations on certain implied warranties and some states' laws do not allow limitations on incidental or consequential damages. You should consult the law in your state to determine how your rights may vary.



[Affix receipt or invoice here for safe keeping]