



**ATD-4P14CCA**

14,000 lb Capacity  
Closed Front Alignment Lift

**ASSEMBLY & OPERATION**

**INSTRUCTION MANUAL**





14,000 LB.  
FOUR POST  
CABLE DRIVEN  
ALIGNMENT LIFT

ATD-4P14CCA  
14,000 lb. capacity  
Four post  
Cabledriven  
Alignment lift  
shown with optional  
rolling jacks



#### Features:

- ◆ 14,000 lb. lifting capacity
- ◆ Cable driven
- ◆ Single point pneumatic safety release mechanism
- ◆ 20" wide non-skid, diamond plate runways
- ◆ Powder-coated paint finish
- ◆ C-channel construction
- ◆ Hydraulic Operation for minimum maintenance
- ◆ Three turntable positions for a wide range of vehicles
- ◆ Optional turntables are available
- ◆ Rear slip plates mounted on ring roller bearings
- ◆ Fully adjustable lock stops for easy leveling

#### SPECIFICATIONS:

Lifting capacity	14,000 lbs.
Overall runway length	204"
Overall width	136 $\frac{3}{4}$ "
Width between posts	118 $\frac{1}{4}$ "
Width of runways	20"
Width between runways	31 $\frac{1}{4}$ "
Maximum wheel base (2 wheel)	185"
Maximum wheel base (4 wheel)	158"
Column height	88 $\frac{5}{8}$ "
Lifting height	9 $\frac{7}{8}$ " - 68 $\frac{7}{8}$ "
Power pack	2hp 220/230 vac 20 amps
Shipping weight	3780 lbs.

# **ATD / TUXEDO DISTRIBUTORS LIMITED WARRANTY**

## **Structural Warranty:**

The following parts and structural components carry a five year warranty:

Columns	Top Rail Beam	Uprights	Arms Swivel Pins
Legs	Carriages	Tracks Overhead Beam	Cross Rails

## **Limited One-Year Warranty:**

Tuxedo Distributors, LLC ("Tuxedo") offers a limited one-year warranty to the original purchaser of Tuxedo lifts and Wheel Service in the United States and Canada. Tuxedo will replace, without charge, any part found defective in materials or workmanship under normal use, for a period of one year after purchase. The purchaser is responsible for all shipping charges. This warranty does not apply to equipment that has been improperly installed or altered or that has not been operated or maintained according to specifications.

## **Other Limitations:**

This warranty does not cover:

1. Parts needed for normal maintenance
2. Wear parts, including but not limited to cables, slider blocks, chains, rubber pads and pulleys
3. Replacement of lift and tire changer cylinders after the first 30 days. A seal kit and installation instructions will be sent for repairs thereafter.
4. On-site labor

Upon receipt, the customer must visually inspect the equipment for any potential freight damage before signing clear on the shipping receipt. Freight damage is not considered a warranty issue and therefore must be noted for any potential recovery with the shipping company.

The customer is required to notify Tuxedo of any missing parts within 72 hours. Timely notification must be received to be covered under warranty.

Tuxedo will replace any defective part under warranty at no charge as soon as such parts become available from the manufacturer. No guarantee is given as to the immediate availability of replacement parts.

Tuxedo reserves the right to make improvements and/or design changes to its lifts without any obligation to previously sold, assembled or fabricated equipment.

There is no other express warranty on the Tuxedo lifts and this warranty is exclusive of and in lieu of all other warranties, expressed or implied, including all warranties of merchantability and fitness for a particular purpose.

To the fullest extent allowed by law, Tuxedo shall not be liable for loss of use, cost of cover, lost profits, inconvenience, lost time, commercial loss or other incidental or consequential damages.

This Limited Warranty is granted to the original purchaser only and is not transferable or assignable.

Some states do not allow exclusion or limitation of consequential damages or how long an implied warranty lasts, so the above limitations and exclusions may not apply. This warranty gives you specific legal rights and you may have other rights, which may vary from state to state.

# TABLE OF CONTENTS

Important Note-----	Page 3
Definition-----	Page 4
Preparation and General Information-----	Page 5
Important Concrete and Anchoring Information-----	Page 6
Installation and Basic Operation Instruction-----	Page 7
Safety Procedures-----	Page 11
Maintenance Schedule-----	Page 12
Troubleshooting-----	Page 14
Owners Responsibilities-----	Page 15
Packing list -----	Page 16
Installation specification (Fig 2)-----	Page 17
Prepare area (Fig 3)-----	Page 18
Cable wiring (Fig 20)-----	Page 19
Parts code (Fig 21 )-----	Page 20

## **IMPORTANT NOTES**

- Do not install this lift on any surface other than concrete confirming to minimum specifications.
- Do not install this lift over expansion joints or cracks. Check with building architect.
- Do not install this lift on a second floor with a basement beneath without written authorization from building architect.
- Do not install this lift outdoors unless special consideration has been made to protect the power unit from inclemency weather conditions.
- A good level floor is recommended for proper installation and operation. Concrete should be a minimum of 5" thickness and 3,000 psi tensile strength with steel or fiber mesh reinforcement.
- The lift is intended to raise the entire body of the vehicle. Do not attempt to lift only part of the vehicle. Improper use of this equipment could result in damage to the lift, yourself or other property.
- The lift is intended to lift vehicles only. It is not designed to lift any person or equipment containing persons.
- All persons using this equipment should be qualified, responsible persons and should follow the operation and safety guidelines set forth in this manual.
- For specifications on concrete pads, please call for technical assistance.
- Improper installation can cause damage or injury. Manufacturer will not assume liability for loss or damage of any kind, expressed or implied, resulting from improper installation to use of this product. Read the installation and operation manual in its entirety before attempting to install the lift.

## **DEFINITION**

The lift is a Four-Column Flat Deck Hydraulic, cable driven one.

The name / model numbers is designated below:

Surface Mounted 4-Post Flat Deck Lift with 14,000 LBS Lifting Capacity.

*Model number: ATD-4P14CCA*

This lift is a 14K capacity, 4-post lift. The safety latch system is very similar to an extension ladder. The safety latch is in contact with the rack as the lift ascends and drops into place as the lift rises. Safety latch engages in rack in 3" increments at about 20" from the ground. The latch must be manually disengaged for the lift to descend. The latch is released by pulling the release handle raising the latch up off the latch rack. Once the raise button is pressed, the latch will automatically re-engage after approximately 3" of travel. The work is done with the heavy-duty cable connected to a 3" cylinder, driven by a hydraulic pump capable of providing 3,000psi pressure.

Please read the Safety Procedures and Operation Instructions in this manual before operating the lift. Proper installation is very important. To minimize the chance of making an error in installation, please read this manual through carefully before beginning installation. Check with building owner and / or architect's building plans when applicable. The lift should be located on a relatively level floor with min 5" thickness and 3000psi tensile strength concrete sufficiently cured.

This is a vehicle lift installation / operation manual and no attempt is made or implied herein to instruct the user in lifting methods particular to an individual application. Rather, the contents of this manual are intended as a basis for operation and maintenance of the unit as it stands alone or as it is intended and anticipated to be used in conjunction with other equipment.

Proper application of the equipment described herein is limited to the parameters detailed in the specifications and the usages set forth in the descriptive passages. Any other proposed application of this equipment should be documented and submitted in writing to the factory for examination. The user assumes full responsibility for any equipment damage, personal injury, or alteration of the equipment described in this manual or any subsequent damages.

## **PREPARATION**

The installation of this lift is relatively simple and can be accomplished by 2 men in a few hours.

The following tools and equipment are needed:

AW 32,46 Non-Detergent Non-Foaming Anti-Wear Hydraulic Oil SAE-10 (12 quarts)

Chalk line and 12' Tape Measure, Transit and a 4' Level

Rotary Hammer Drill with 3/4" Masonry Drill Bit. Core Drill ReBar Cutter recommended

Hammer and Hex-Key / Allen Wrench Set

Sockets and Open Wrench set, 1/2" thru 1-1/2"(1-1/8" for 3/4" Anchors)

Medium Crescent Wrench and Medium Pipe Wrench

Crow Bar for Shim Installation, Medium Flat Screwdriver and Cross Screwdriver.

Vise Grips and Needle Nose Pliers

## GENERAL INFORMATION

1. Carefully remove the crating and packing materials. CAUTION! Be careful when cutting steel banding material as items may become loose and fall causing personal harm or injury.
2. Identify the components and check for damage or shortages. If damage or shortages are discovered, contact distributor immediately. *Save the shipping bolts for use in the installation.*

### Packing:

- \*The lift packed into one heavy rack and one carton box on it.
- \*Every rack with two runways, four columns with covers, two cross bar, two ramps, two front stops, one long lock linkage rod, and a accessory box.
- \*There is the hydraulic motor in one of the boxes.

3. Lift location - check with building owner and / or architect's building plans when applicable. The lift should be located on a relatively level floor with concrete sufficiently cured.

### Suggestion:

- (1) The floor be flat and without gradients (maximum of 10mm tolerance between the two base plate of the columns)
- (2) There are no cracks within 38" and no seams within 6" of the base plate.
- (3) The concrete is recommended with following dimension: 157.5"L \* 39.5"W \* 7.75"H.

*Remember any structure is only as strong as the foundation on which it is located.*

4. Check for ceiling clearance.

### Suggestion:

At least 5" left between the top of a car on the lift and the ceiling.

Check for clearance in the front and rear of vehicle when on lift - will the garage door open.

### Suggestion:

At least 24" space left between the edge of the column and the wall.

At least 144" space left between the central line of the columns and the wall.

( At least 36" space for walking left between the front or the rear of the vehicle and the wall. )

5. Check the power supply. The voltage phase and proper amperage requirements for the motor shorn on the motor plate. Only a certified electrician should perform the wire connection.

### Suggestion:

For a 220V / 50Hz, single phase, 2.2Kw motor, the rated current will be 15A.

## Basic Specification

Description	Capacity	Lifting Time	Overall Height	Overall Width	Lifting height
Alignment Lift	7.0 ton 14000lbs	( about ) 50 Sec	90"	136 ½"	67"



## IMPORTANT CONCRETE AND ANCHORING INFORMATION

1. Concrete shall have compression strength of at least 3,000 PSI and a minimum thickness of 5 " in order to achieve a minimum anchor embedment of  $3\frac{1}{4}$  ". When using the standard supplied  $\frac{3}{4}$ " \*  $5\frac{1}{2}$  " long anchors, if the top of the anchor exceeds  $2\frac{1}{4}$  " above the floor grade, you DO NOT have enough embedment.
2. Before drilling anchor holes in concrete floor using holes in column base plate as a guide. Make sure the distance from the hole to the edge of concrete is not less than 6 " . Hole to hole spacing should not be less than  $6\frac{1}{2}$  " in any direction. The hole depth should be a minimum of  $4\frac{1}{4}$  " .
3. **CAUTION:** DO NOT install the lift on any asphalt or other similar unstable surface. Only anchoring in floor supports columns.
4. Shim each column base until each column is plumb. If one column has to be elevated to match the plane of the other column, full size base shim plates should be used. Shim thickness MUST NOT exceed  $\frac{1}{2}$  " when using the  $5\frac{1}{2}$  " long anchor provided with the lift. Adjust the column extensions plumb also.
5. If anchors do not tighten to 80 ft-lbs. Installation torque, replace concrete under each column base with a 4'\*4'\*6" thick 3,000 PSI minimum concrete pad keyed under and flush with the top of existing floor. Let concrete cure before installing lifts and anchors.

### ANCHORING TIP SHEET

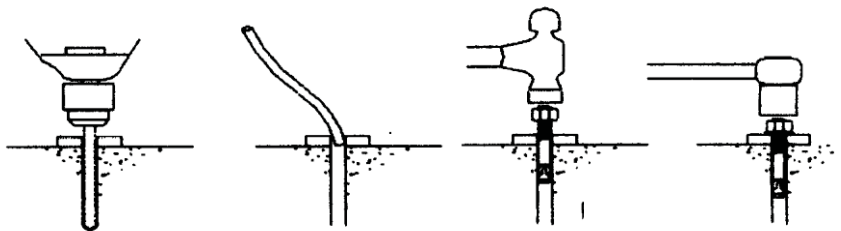


FIG. 1

### Anchors must be at least 6" from the edge of the slab or any seam.

1. Use a concrete hammer drill with a carbide tip, solid drill bit the same diameter as the anchor,  $\frac{3}{4}$  " (0.775 to 0.787 inches diameter). Do not use excessively worn bits or bits which have been incorrectly sharpened.
2. Keep the drill perpendicularly while drilling.
3. Let the drill do the work. Do not apply excessive force. Pull the drill up and down occasionally to remove residue while drilling.
4. Drill the hole to depth equal to length of anchor.
5. For better holding power blow dust from the hole.
6. Place a flat washer and hex nut over thread of an anchor, leaving approximately  $\frac{1}{2}$  inch of thread exposed. Do not damage threads. Tap anchor into the concrete carefully until nut and flat washer are against base plate. Do not use an impact wrench to tighten. Tighten the nut two or three turns on average concrete (28-day cure). If the concrete is very hard, only one or two turns may be applied.
7. Drilling thru concrete (recommended) will allow the anchor to be driven thru the bottom if the threads are damaged.

## INSTALLATION INSTRUCTION

### **IMPORTANT NOTICE**

These instructions must be followed to insure proper installation and operation of your lift. Failure to comply with these instructions can result in serious bodily harm and void product warranty. Manufacturer will assume no liability for loss or damage of any kind, expressed or implied resulting from improper installation or use of this product.

**PLEASE READ ENTIRE INSTRUCTION BEFORE STARTING TO ASSEMBLE THE LIFT**

**STEP 1:** (Selecting Site) Before installing your new lift, check the following:

1. **LIFT LOCATION:** Always use architects plans when available. Check layout dimension against floor plan requirements making sure that adequate space is available.
2. **OVERHEAD OBSTRUCTIONS:** The area where the lift located should be free of overhead obstructions such as heaters, building supports, electrical lines etc.
3. **DEFECTIVE CONCRETE:** Visually inspect the site where the lifts is to be installed and check for cracked or defective concrete.
4. **FLOOR REQUIREMENTS:** The lift should be installed on a 3000 PSI concrete with little gradients.

**STEP 2:** (Unloading and Unpacking)

1. After unloading the lift, place it near the intended installation location.
2. Remove the shipping bands and packing materials from the unit.
3. Remove the packing brackets and bolts holding the two runways together. **(Do not discard bolts, they may be used in the assembly of the lift )**

**STEP 3:** (Site Layout)

1. Determine which side will be the approach side.
2. The power-side runway is always on the left side of the approach side. The POWERSIDE column has the power-unit mounting position on the side. Note the power unit column can only be located on the far end of the left side.
3. Once a location is determined, use a carpenters chalk line to layout a grid for the post locations. Keep all dimensions and square within  $\frac{1}{8}$ " or malfunction of the lift will occur. (See Fig. 2)
4. After the post locations are properly marked, use a chalk or crayon to make an outline of the posts on the floor at each location using the post base plates as a template.
5. Double check all dimensions and make sure that the layout is perfectly square.
6. Before continuing with the installation it is helpful to stand the posts up at their respective locations and get a visual of the shop, aisles and other clearances. Also, this is a good time to drive a vehicle into position and check for adequate clearance.
- 7.

### **NOTE**

All models **MUST** be installed on 3000PSI concrete only confirming to the minimum requirements. New concrete must be adequately cured by at least 28 days minimum.

**STEP 4:** (Installing the Columns with cross bars)

1. Before proceeding, double check measurements and make certain that the bases of each column are square and aligned with the chalk line.
2. Locate the columns at their respective locations according to the chalk line layout. (See Fig.3) Pay attention to the power-side column. DO NOT BOLT columns at this moment. Use caution to prevent columns from falling over.
3. Unbolt the safety rack at the bottom inside the column.( See Fig. 4)



Fig.4



Fig.5



Fig.6

4. Insert the end of cross bar into every column. ( See Fig. 5) To be sure that the end with lock release handle of front cross bar is inside the power-side column. Handle faces out (front). The rear cross bar should be placed as a mirror image of the power-side one. ( The side with a tiny bar link two ends face back)
5. Insert the safety rack into the cross bar end as shown in Fig. 6.
6. Hold down the safety rack then raise up the all the cross bar ends to rest on the first (lowest) position. ( See Fig. 7)
7. Tighten up the bolt of every safety rack at the bottom. (See Fig. 8)



Fig.7



Fig. 8



Fig. 9

8. Again check all the position of the columns according to the drawings. Using a tape measure to measure the distance between the opposite corners of the base plate on the columns. Equal values will insure the lifting arms will be in square.
9. Using the base plate on the column as a guide, drill each anchor hole in the concrete approximately 5<sup>1</sup>/<sub>2</sub>" deep using a rotary hammer drill and 3/4" concrete drill-bit. To assure full holding power, do not ream the hole or allow the drill to wobble. ( See Fig. 9)
10. After drilling, remove dust thoroughly from each hole using compressed air and/or wire brush.

Make certain that the column remains aligned with the column remains aligned with the chalk line during this process.

11. Assemble the washers and nuts on the anchors then tap into each hole with a block of wood or rubber hammer until the washer rests against the base plate. Be sure that if shimming is required that enough threads are left exposed.
12. Using a level, check column plumb for every side.(See Fig. 10) If shimming is required, use  $\frac{3}{4}$ " washers or shim stock, placing shims as close as possible to the hole locations. This will prevent bending the column base plates.
13. With the shims and anchor bolts in place, tighten by securing the nut to the base then turning 2-3 full turns clockwise. DO NOT use an impact wrench for this procedure.



Fig.10



Fig.11



Fig. 12

14. Using the lever again, check the cross bar for front and rear. (See Fig. 11) If need, loose the bottom bolt of the safety rack. Turn the rack nut on the top of the column to raise the lower end of the cross bar. After all tighten the bolts.

**STEP 5:** (Mounting the runway)

1. Put the OFFSIDE runway on the cross bars at the right side. Be sure that the utility rails for beam lift located inside. (See Fig. 13)

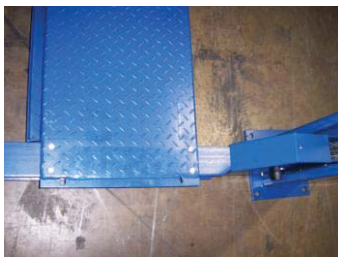


Fig. 13



Fig.14



Fig.15

2. Using bolts provided, bolt the right-rear end of the off-side runway on the rear cross bar. The other end is free.
3. Before locating the power-side runway on the cross bars, pull out the cables underneath and put them over the pulleys. The shorter one is for the power-side column. The longer one is for the opposite.
4. Take off the stop plate of the big pulley shaft on one end of cross bar. (See Fig.14) Take out the big pulley in order to let the cable go through it. (See Fig. 15) Then install back the big pulley and fasten the stop plate of it. Be sure that the cable is against the small roller so that the emergency

locking latch is off the rack.

5. Tighten all the bolts on the power-side runway with supplied bolts, nuts, and spring washes.
6. Bolt the threaded end of the cable on the top of the column. (See Fig. 16) Do the same for other cables and columns.



Fig. 16



Fig.17

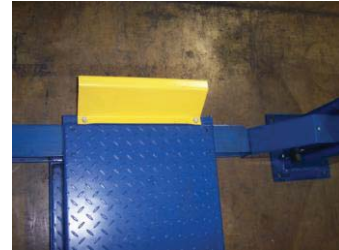


Fig. 18

### SUGGESTION

Pull out the ram of the cylinder underneath the power-side runway as longer as possible, to make the cables reach the column top easily.

### **STEP 6:** (Mounting the POWER UNIT)

1. Attach the power unit to the POWER-SIDE COLUMN using bolts, nuts and washers supplied. (See Fig. 17)
2. Fill the reservoir with hydraulic oil. Make sure the funnel used to fill the power unit is clean.  
Suggestion: Use AW 32,46 Non-Detergent Non-Foaming Anti-Wear Hydraulic Oil SAE-10
3. Connect the oil hose from the power-side runway to the power unit.
4. Have a certified electrician to run the 220V/60Hz single phase power supply to the motor. Be sure to size the wire for a 25 amp circuit.

### **STEP 7:** (Routing the CABLES)

1. Check again that all the cables are rest on the pulleys both of the columns and underneath the power-side runway.
2. Make sure that the current of the power supply is enough for the motor.
3. Press the start button on the motor to raise the runways a little. Make sure that the safety latches are not rest on the racks.
4. Using the level, by screwing up or down of the nut of the cable on the column top one by one , make the cross bar level and also the runway are level too.

### IMPORTANT NOTE

The cables should be checked weekly for equal tension. Failure to do this will cause uneven lifting. The cables should always be adjusted so that they are equal tension when the cross bars are resting on the safety locks.

**STEP 8:** (Mounting on accessories)

1. Mount on the front stops. (See fig. 18)
2. Connect the long linkage rod from Front cross bar to rear cross bar. Try several time to make sure the safety lock are working normally.
3. Route the hydraulic hose underneath the power-side runway.
4. Mount on the approaching ramps.
5. Put the column covers on the column.

**STEP 9:** (Lift start up)

1. Do not place any vehicle on the lift at this time!
2. Cycle the lift up and down several times to insure latch click together and all air is removed from the system.
3. To lower the lift, the latch releases must be manually released while the lowering handle of the pump is pressed. Latches will automatically reset once the lift ascends approximately 17 " from base.

## OPERATION

### **RAISE-LIFT**

1. Press button on power unit

The latch mechanism will 'trip over' when the lift raises and drop into each latch stop. But, to lock the lift you must press the lowering handle to relieve the hydraulic pressure and let the latch set tight in a lock position.

*Always lock the lift before going under the vehicle. Never allow anyone to go under the lift when raising or lowering. Read the safety procedures in the manual.*

### **LOWER LIFT**

1. Raise the lift until the latch clears.
  2. Pull the latch release handle while pressing the lowering handle on the power unit.
- Note: It is normal for an empty lift to lower slowly-it may be necessary to add weight.

## **SAFETY PROCEDURES**

- Never allow unauthorized persons to operate lift. Thoroughly train new employees in the operation and care of lift.
- Caution: the power unit operates at high pressure.
- Remove passengers before raising vehicle.

- Prohibit unauthorized persons from being in shop area while lift is in use.
- Total lift capacity is 14000-lbs.
- Prior to lifting vehicle, walk around the lift and check for any objects that might interfere with the operation of lift and safety latches; tools, air hoses, shop equipment.
- When approaching the lift with a vehicle, center the vehicle wheel on the runway. Slowly drive the vehicle up on the runways. Have some one outside the vehicle guide the driver.
- Never use lift to raise one end or one side of vehicle.
- Raise vehicles about 3' and check stability by rocking.
- Prior to lowering vehicle, walk around the lift and check for any objects that might interfere with the operation of lift and safety latches; tools, air hoses, shop equipment. Slowly drive the vehicle out. Have some one outside the vehicle guide the driver.

**ALWAYS LOCK THE LIFT BEFORE GOING UNDER THE VEHICLE. NEVER ALLOW ANYONE TO GO UNDER THE LIFT WHEN RAISING OR LOWERING.**

### **MAINTENANCE SCHEDULE**

The following periodic maintenance is the suggested minimum requirements and minimum intervals; accumulated hours or monthly period, which ever comes sooner. If you hear a noise or see any indication of impending failure - **cease operation immediately** – inspect, correct and / or replace parts as required.

**WARNING OSHA AND REQUIRE USERS TO INSPECT LIFTING EQUIPMENT AT THE START OF EVERY SHIFT. THESE AND OTHER PERIODIC INSPECTIONS ARE THE RESPONSIBILITY OF THE USER.**

#### **DAILY PRE-OPERATION CHECK (8 HOURS)**

The user should perform daily check. ATTENTION! LOOK OUT! Daily check of safety latch system is very important-the discovery of device failure before needed could save you from expensive property damage, lost production time, serious personal injury and even death.

- Check safety lock audibly and visually while in operation
- Check safety latches for free movement and *full engagement with rack.*
- Check hydraulic connections, and hoses for leakage.
- Check cables connections- bends, cracks-and looseness
- Check for frayed cables in both raised and lowered position.

- Check snap rings at all rollers and sheaves.
- Check bolts, nut, and screws and tighten.
- Check wiring & switches for damage.
- Keep bass plate free of dirt, grease or any other corrosive substances.
- Check floor for stress cracks near anchor bolts.

#### WEEKLY MAINTENANCE (40 HOURS)

- Check anchor bolts torque to 150 ft-lbs for the 3/4 " anchor bolts. Do not use impact wrench.
- Check floor for stress cracks near anchor bolts
- Check hydraulic oil level.
- Check and tighten bolts and nuts, and screws.
- Check cylinder pulley assembly for free movement or excessive ware on cylinder yoke or pulley pin.
- Check cable pulley for free movement and excessive ware.

#### YEARLY MAINTENANCE

- Lubricate cable
- Grease rub blocks and column surface contacting rub blocks
- Change the hydraulic fluid- good maintenance procedure makes it mandatory to keep hydraulic fluid clean. No hard fast rules can be established;-operating temperature, type of service, contamination levels, filtration, and chemical composition of fluid should be considered. If operating in dusty environment shorter interval may be required.

#### **The following items should only be performed by a trained maintenance expert.**

- Replace hydraulic hoses
- Replace cables and rollers.
- Replace cables and sheaves.
- Replace or rebuild air and hydraulic cylinders as required.
- Replace or rebuild pumps / motors as required.
- Check hydraulic and air cylinder rod and rod end (threads) for deformation or damage.
- Check cylinder mount for looseness and damage.

Relocating or changing components may cause problems. Each component in the system must be compatible; an undersized or restricted line will cause a drop in pressure. All valve, pump, and hose connections should be sealed and/ or capped until just prior to use air hoses can be used to clean fittings and other components. However, the air supply must be filtered and dry to prevent contamination. most important- cleanliness- contamination is the most frequent cause of malfunction or hydraulic equipment.



## TROUBLE SHOOTING

1. Motor dose not run:

- A. Breaker or fuse blown
- B. Motor thermal overload tripped. Wait for overload to cool.
- C. Faulty wiring connections call electrician.
- D. Defective up button call electrician for checking.

2. Motor runs but will not raise:

- A. A piece of trash is under check valve. Push handle down and push the start button at the same time. Hold for 10-15 seconds. This should flush the system.
- B. Check the clearance between the plunger valve of the lowering handle. There should be 1/16 " .
- C. Remove the check valve cover and clean ball and seat.
- D. Oil level to low oil level should be just under the vent cap port when the lift is down!!!

3. Oil blows out breather of power unit:

- A. Oil reservoir overfilled.
- B. Lift lowered too quickly while under a heavy load.

4. Motor hums and will not run:

- A. Impeller fan caver is dented. Take off and straighten.
- B. Faulty wiring-----call electrician
- C. Bad capacitor-----call electrician
- D. Low voltage-----call electrician
- E. Lift overloaded---

5. Lift jerk going up and down: air in hydraulic system. Raise lift all the way to top and return to floor. Repeat 4-6 times with 2 min rest every time. Do not let this overheat power unit.

6. Oil leaks

- A. Power unit: if the power unit leaks hydraulic oil around the tank-mounting flange; check the oil level in the tank. The level should be two inches below the flange of the tank. Check with a screwdriver.
- B. Rod end of cylinder: the rod seal of the cylinder id out. Rebuild or replace the cylinder.
- C. Breather end of the cylinder: the piston seal of the cylinder is out. Rebuild or replace the cylinder.

7. Lift makes excessive noise.

- A. Leg of the lift is dry and requires grease.
- B. Cylinder pulley assembly or cable pulley assembly is not moving freely.
- C. May have excessive wear on pins or cylinder yoke.

## **OWNER / EMPLOYER RESPONSIBILITIES**

The owner/Employer:

Shall establish procedures to periodically maintain, inspect and care for the lift in accordance with the manufactures recommended procedures to ensure its' continued safe operations.

Shall provide necessary lockout / tagouts of energy sources per ANSIZ244.1 –1982 before beginning any lift repairs.

Shall not modify the lift in any manner without prior written consent of the manufacture.

Shall display the operating instructions and “ Lifting It Right:” and Safety Tips” supplied with the lift in a conspicuous location in the lift area convenient to the operator.

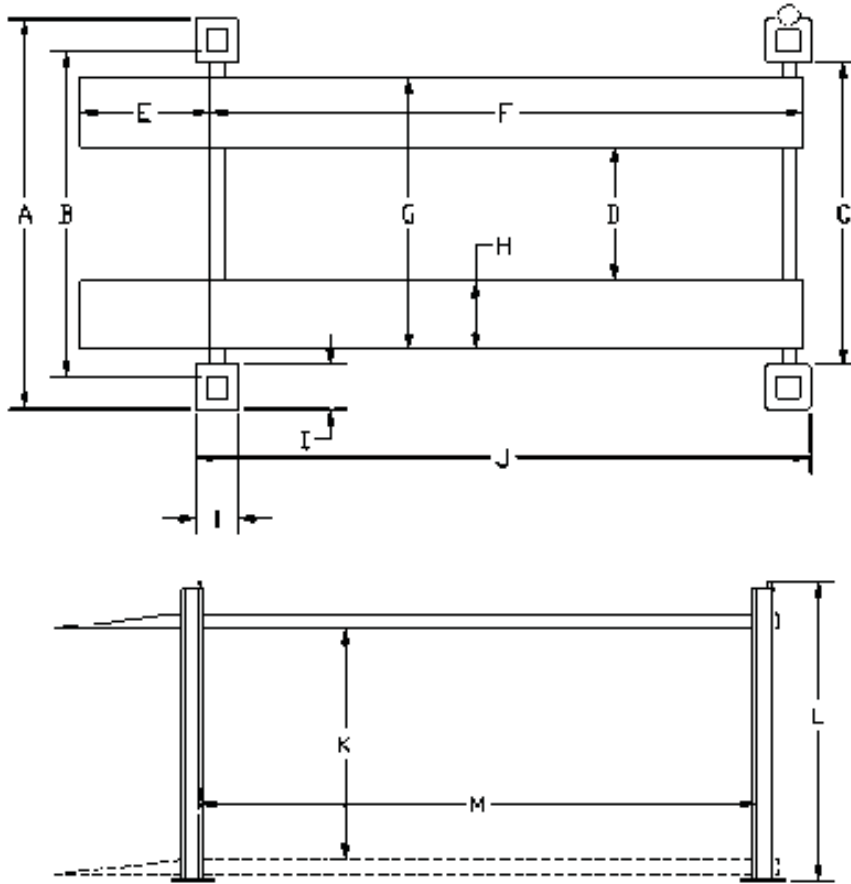
Shall insure that lift operators are instructed in the proper and safe use and operation of the lift using the manufacturer’s instructions and “Lift It Right: and “safety Tips” supplied with the lift.

## Packing list

No	Description	Qty	Note
1	Power-side runway	1	with cylinder ,hose and cables
2	Off-side runway	1	
3	Front cross bar	1	With lock release handle
4	Rear cross bar	1	
5	Power-side column	1	With mounting holes for pump
6	Off-side column	3	
7	Column cover	4	
8	Front stop	2	
9	Approaching ramp	2	
10	Long lock linkage rod	1	
11	Beam cover	4	
12	Accessory box	1	Anchors and shims
13	Electro-hydraulic pump	1	
14			
15			
16			
17			
18			
19			
20			
21			
22			

INSTALLATION INSTRUCTION Fig 2

For ATD-4P14CCA

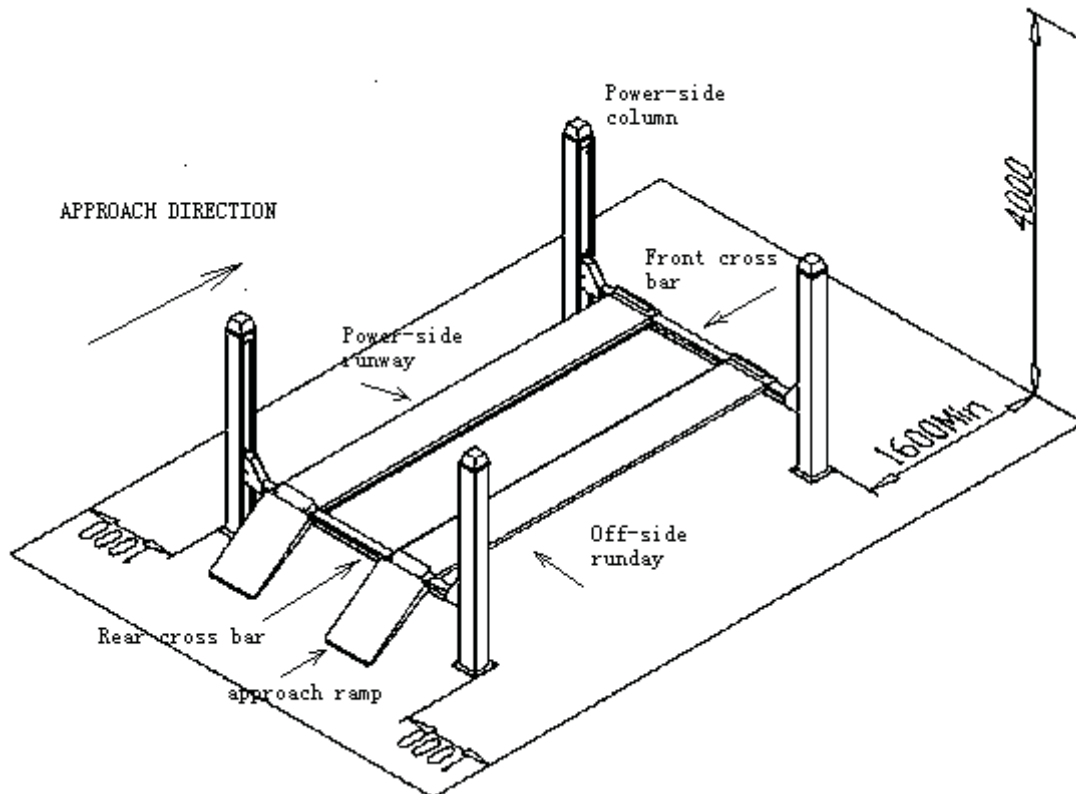


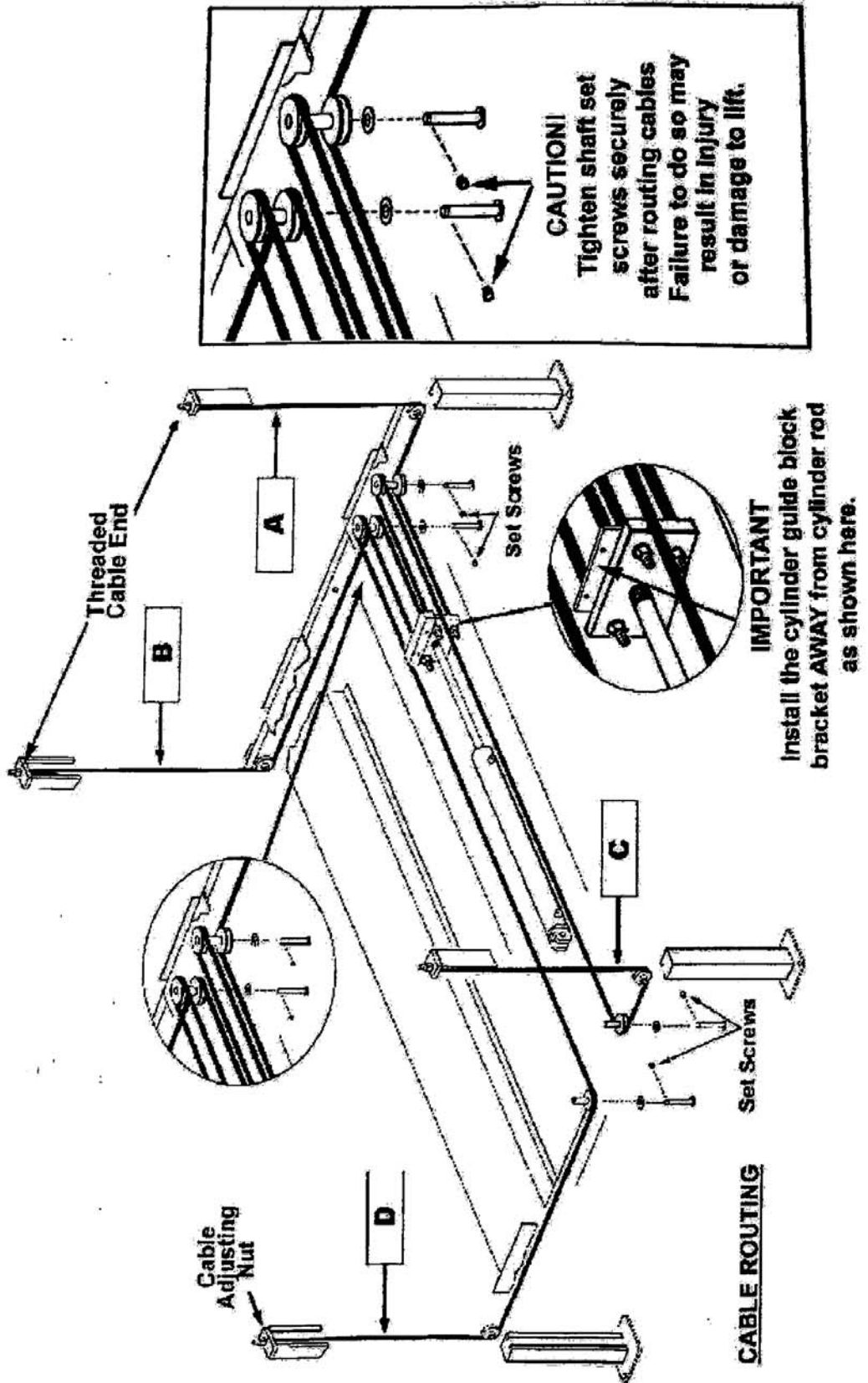
ITEM		MODEL ATD-4P14CCA
Overall Width	A	136.5"
Inside Columns	B	118"
Inside Soleplate of columns	C	113"
Between Runways	D	37"
Length of Ramp	E	42"
Length of Runway	F	204"
Width of Outside runway	G	79"
Width of runway	H	19"
Size of Soleplate	I	12" x 12"
Overall Length	J	209"
Lifting Height	K	68"
Overall Height	L	90"
Length between Columns	M	190"
Lifting Capacity		14,000lbs
Net (Gross) Weight		3,780 lbs

# INSTALLATION INSTRUCTION

Fig 3

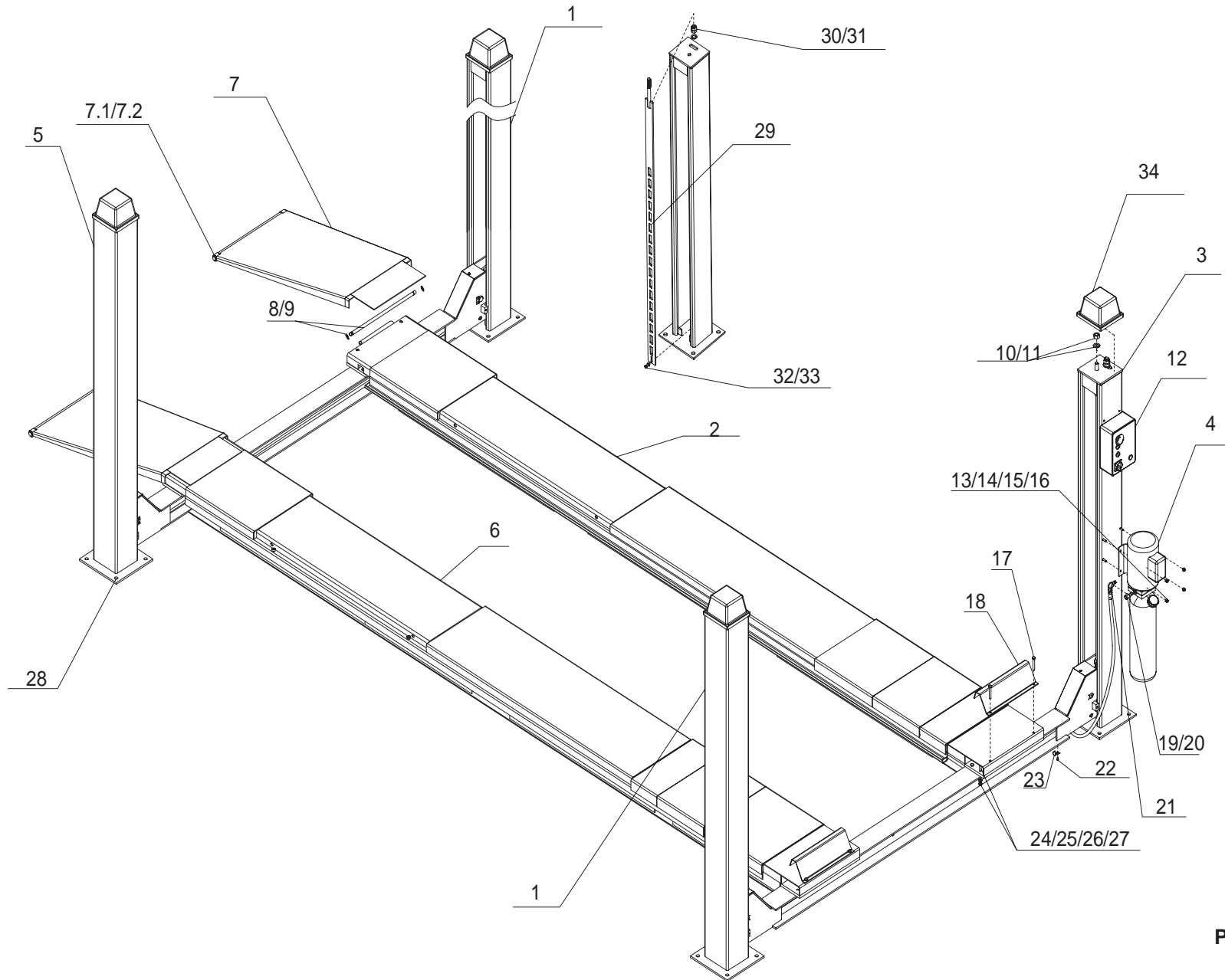
(These data are suggestion not min. requirement)





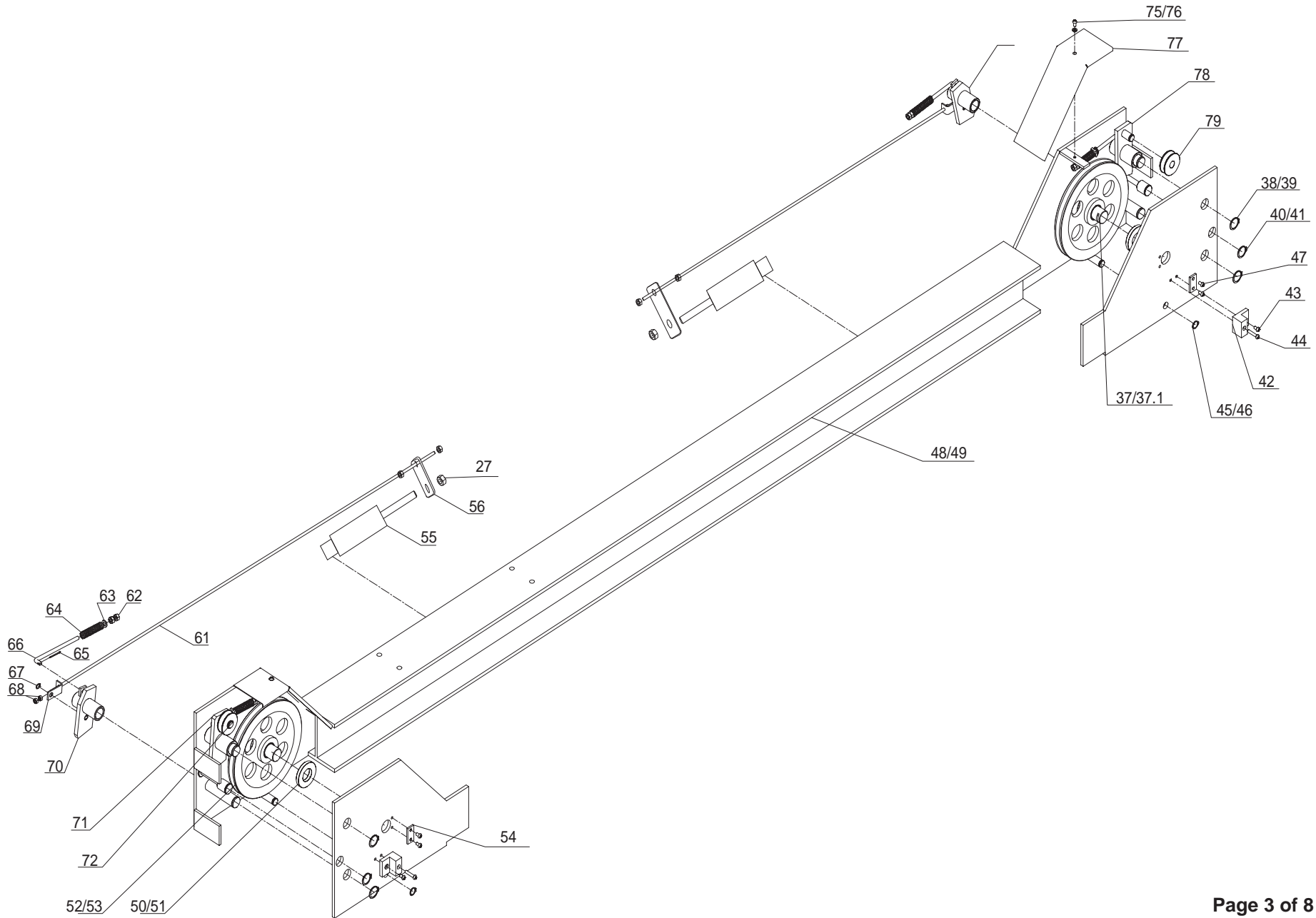
# ATD-4P14CCA

Kernel Edition 3.0  
Jan.2011



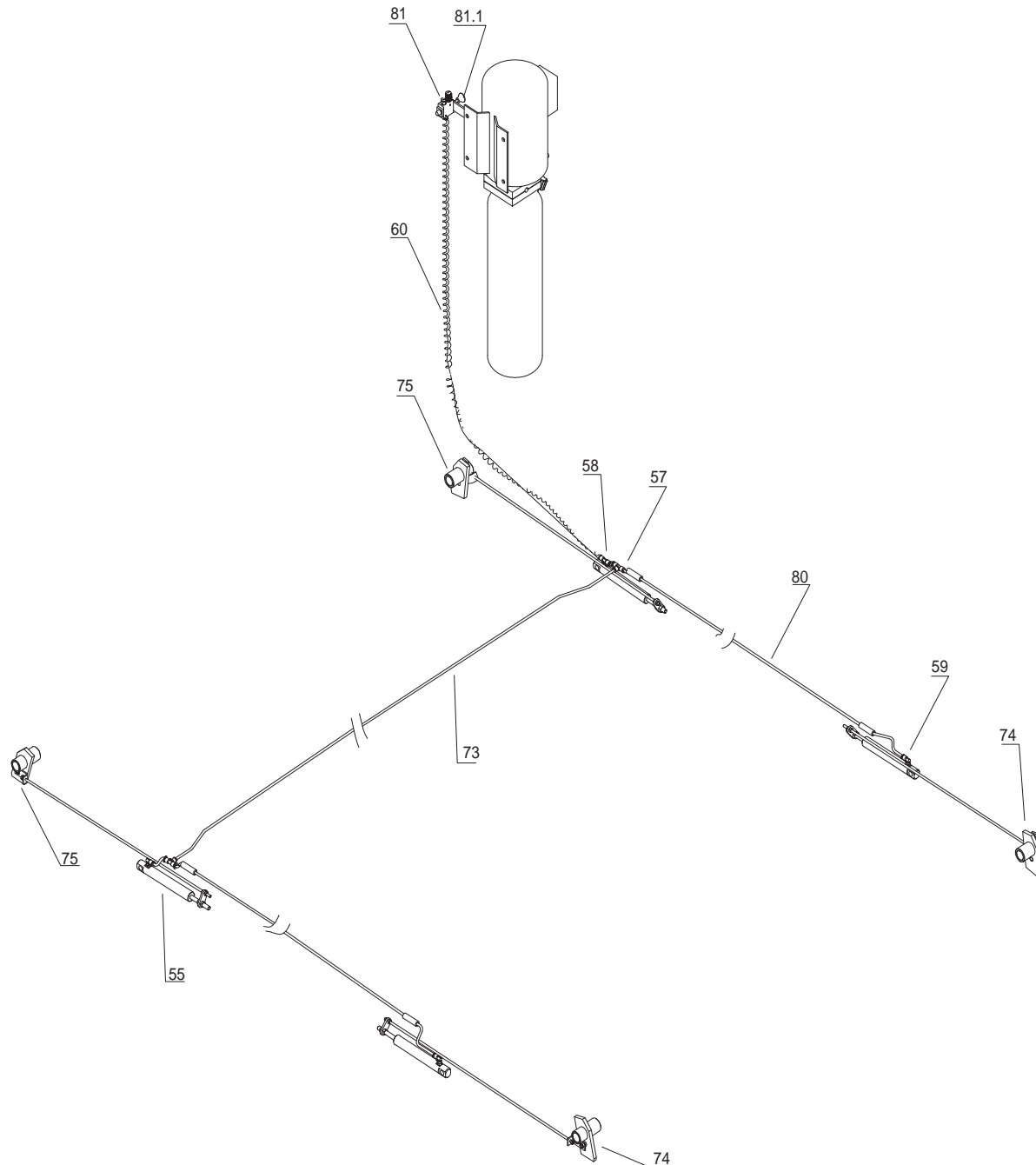
# ATD-4P14CCA

Kernel Edition 3.0  
Jan.2011

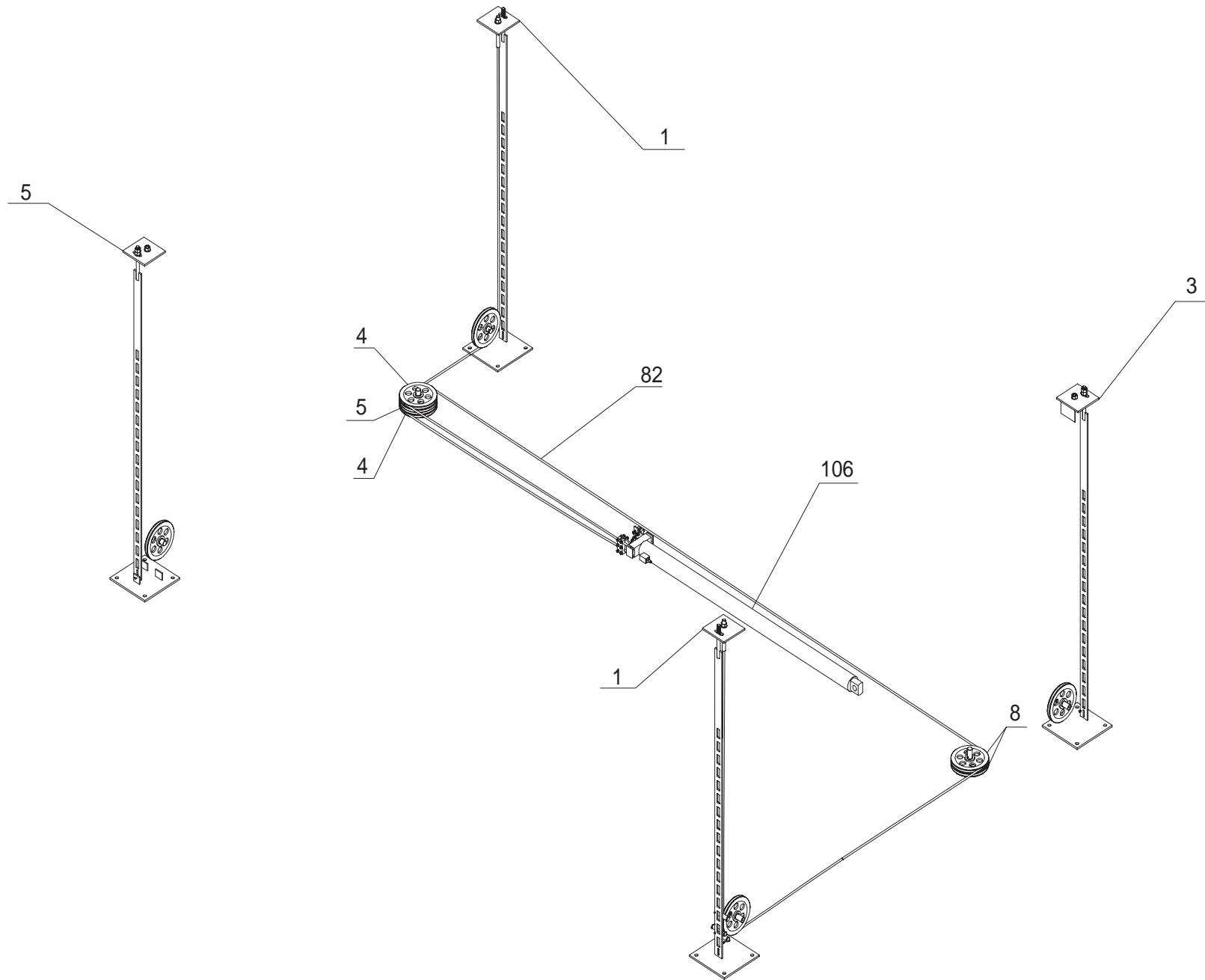




# ATD-4P14CCA

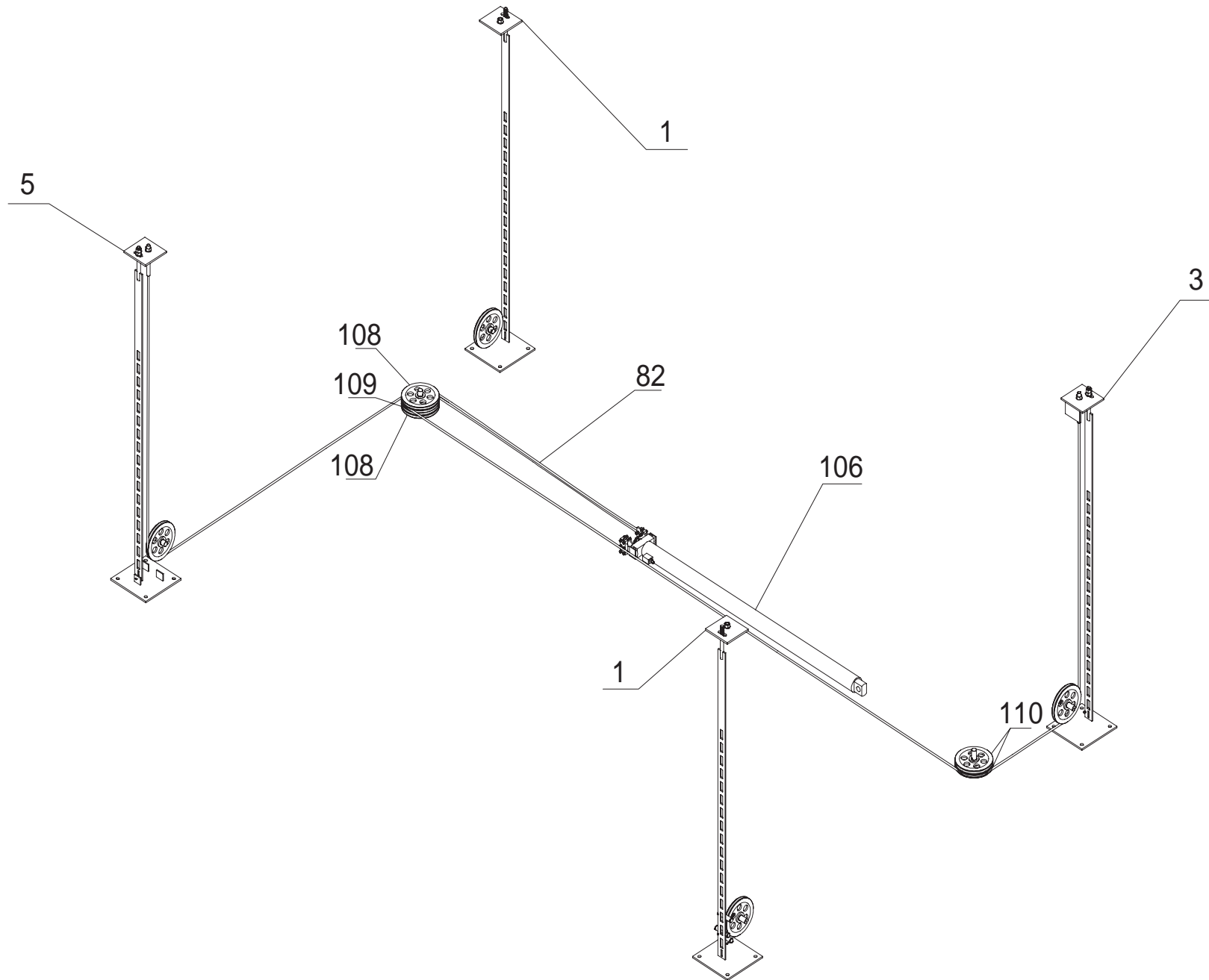


# ATD-4P14CCA



# ATD-4P14CCA

Kernel Edition 3.0  
Jan.2011





# ATD-4P14CCA Spare Parts List

Kernel Edition 3.0  
Jan.2011

ITEM	CODE	DESCRIPTION	QTY
1	165976*01-001	Column 3	2
2	165976*01-002	Main runway board	1
3	165976*01-003	Column 1	1
4	165976*01-004	Pump	1
5	165976*01-005	Column 2	1
6	165976*01-006	Assistant runway board	1
7	165976*01-007	Front broad	2
7.1	165976*01-007.1	Small wheel	4
7.2	165976*01-007.2	Circlip	20
8	165976*01-008	Circlip	4
9	165976*01-009	Front broad-Spindle	2
10	165976*01-010	Flat washer	8
11	165976*01-011	Haxangular nut	12
12	165976*01-012	Box	1
13	165976*01-013	Haxangular nut	40
14	165976*01-014	Flat washer	34
15	165976*01-015	Haxangular bolt	4
16	165976*01-016	Spring washer	14
17	165976*01-017	Haxangular bolt	4
18	165976*01-018	Front wheel block	2
19	165976*01-019	washer	1
20	165976*01-020	Hydraulic connetion	1

ITEM	CODE	DESCRIPTION	QTY
21	165976*01-021	Elbow outside fitting	1
22	165976*01-022	Cross screw	13
23	165976*01-023	hose bracket	1
24	165976*01-024	Haxangular bolt	8
25	165976*01-025	Spring washer	8
26	165976*01-026	Flat washer	12
27	165976*01-027	Haxangular nut	12
28	165976*01-028	Anchor bolt	16
29	165976*01-029	Safty card	4
30	165976*01-030	Haxangular nut	
31	165976*01-031	Flat washer	
32	165976*01-032	Inner haxangular screw	4
33	165976*01-033	Flat washer	
34	165976*01-034	Column shield	4
37	165976*01-037	Spindle 1	4
37.1	165976*01-037.1	grease nipple	6
38	165976*01-038	Spindle 2	8
39	165976*01-039	Circlip	20
40	165976*01-040	Spindle 3	4
41	165976*01-041	Circlip	8
42	165976*01-042	Nylon block	8
43	165976*01-043	Cross screw	8

ITEM	CODE	DESCRIPTION	QTY
44	165976*01-044	Cross screw	8
45	165976*01-045	Spindle 4	4
46	165976*01-046	Circlip	12
47	165976*01-047	Cross screw	13
48	165976*01-048	Beam 1	1
49	165976*01-049	Beam 2	1
50	165976*01-050	Spindle push 1	4
51	165976*01-051	Spindle push 2	4
52	165976*01-052	wheel 1	4
53	165976*01-053	Multiple bush	1
54	165976*01-054	Orientation board	6
55	165976*01-055	Cylinder assembly	4
56	165976*01-056	Connect plate	4
57	165976*01-057	Air union 2	2
58	165976*01-058	Air union 1	1
59	165976*01-059	Elbow union	4
60	165976*01-060	Spring air hose	1
61	165976*01-061	Safty screw pole	4
62	165976*01-062	Haxangular nut	40
63	165976*01-063	Flat washer	34
64	165976*01-064	Spring	8
65	165976*01-065	Snap ring	8



# ATD-4P14CCA Spare Parts List

Kernel Edition 3.0  
Jan.2011

ITEM	CODE	DESCRIPTION	QTY
66	165976*01-066	Spring shaft	8
67	165976*01-067	Circlip	6
68	165976*01-068	Haxangular nut	25
69	165976*01-069	brock	4
70	165976*01-070	Safty block 1	2
71	165976*01-071	Safty bolck 1	2
72	165976*01-072	Circlip	
73	165976*01-073	Long air hose1	1
74	165976*01-074	Safty bolck 2	2
75	165976*01-075	Cross screw	13
76	165976*01-076	Flat washer	
77	165976*01-077	Cover	4
78	165976*01-078	Safty bolck 2	2
79	165976*01-079	Safty idler wheel	4
80	165976*01-080	Air hose 2	2
81	165976*01-081	Switch	1
81.1	165976*01-081.1	Fixture plate	1
82	165976*01-082	Steel cable	2
83	165976*01-083	Haxangular screw	10
84	165976*01-084	Spring washer	14
85	165976*01-085	Haxangular nut	
86	165976*01-086	Flat washer	

ITEM	CODE	DESCRIPTION	QTY
87	165976*01-087	Cable block 2	1
88	165976*01-088	Cable block 1	1
89	165976*01-089	Hydraulic hose fitting	1
90	165976*01-090	Cover	4
91	165976*01-091	Cross screw	4
92	165976*01-092	Flat wahser	14
93	165976*01-093	Circlip	1
94	165976*01-094	Hydraulic pipe	1
95	165976*01-095	Wheel spindle	2
96	165976*01-096	Orientation screw	4
97	165976*01-097	Orientation board	
98	165976*01-098	Cross screw	4
99	165976*01-099	Spring washer	4
100	165976*01-100	Cable block 3	1
101	165976*01-101	Cable block 4	1
102	165976*01-102	Inner Haxangular screw	2
103	165976*01-103	Flat wahser	
104	165976*01-104	Guide board	1
105	165976*01-105	Block	1
106	165976*01-106	Hydraulic cylinder	1
107	165976*01-107	Hydraulic cylinder spindler	1
108	165976*01-108	Wheel 2	2

ITEM	CODE	DESCRIPTION	QTY
109	165976*01-109	Wheel 3	1
110	165976*01-110	Wheel 4	2
111	165976*01-111	Spindle bush	1
112	165976*01-112	bearing	2
113	165976*01-113	Cross blot	8
114	165976*01-114	Insert Pin	8
115	165976*01-115	φ1.5 Cable	8
116	165976*01-116	Bushing	16
117	165976*01-117	Pull 1	8
118	165976*01-118	Flat washer	
119	165976*01-119	Haxangular nut	
120	165976*01-120	Spring	8
121	165976*01-121	Cover	2
122	165976*01-122	Cover 1	2
123	165976*01-123	Cover 2	2
124	165976*01-124	Cover 3	2
125	165976*01-125	Cable bolck	1
126	165976*01-126	Wheel	42
127	165976*01-127	Safty transmisson pole clasp	1
128	165976*01-128	Haxangular nut	
129	165976*01-129	Safty transmisson pole	1

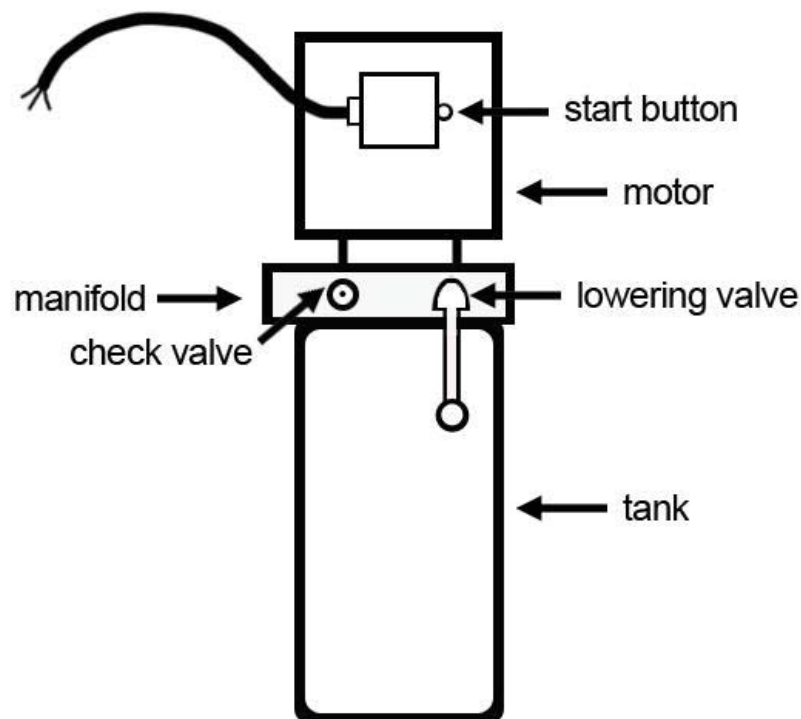


## IMPORTANT

### POWER UNIT PRIMING PROCEDURE

**THE PROBLEM: Power unit runs fine but will not pump any fluid.**

Step 1 – Locate the check valve, the flush plug to the left of the lowering valve.  
(See drawing below.)



Step 2 – Using an Allen wrench and shop towel – with shop towel in place to catch fluid – loosen the check valve plug 2 ½ turns to allow it to leak.

Step 3 – Push the START button for one second, then release for three seconds.  
Repeat these steps until unit starts pumping fluid.

Step 4 – Tighten the check valve plug.

**YOUR POWER UNIT SHOULD BE PRIMED**