



ATD-30334


30" Industrial Oscillating Wall Mounted Fan Owner's Manual




Features:


- Three speed energy efficient oscillating motor
- Automatic shut-off feature prevents overheating
- 1/5 Hp Motor
- Up to 4,853 CFM
- Black powder coating for durable use
- Balanced aluminum blades for quiet operation
- Three-speed pull switch
- UL/cUL listed
- One year limited warranty
- Shipping Weight: 40.55 lbs


General Safety Warnings:


 **WARNING:** The instructions and warnings contained in this manual should be read and understood before using or operating this fan. Do not allow anyone to use or operate this fan until they have read this manual and have developed a thorough understanding of how this fan works. Failure to observe any of the following instructions could result in severe personal injury to fan user and bystanders, or cause damage to the fan and property. Keep this manual for future reference.


 **Note:** The warnings and cautions discussed in this instruction manual cannot cover all possible conditions and situations that may occur. It must be understood by the operator that common sense and caution are factors which cannot be built into this product, but must be supplied by the operator.


Electrical Safety Warnings:


 **WARNING:** Read all safety warnings and instructions. Failure to follow all warnings and instructions may result in electric shock, fire and/or serious injury or death.


 **WARNING:** Before connecting a fan to a power supply, always check to ensure the power supply corresponds to the voltage on the nameplate of the fan. A power supply with a voltage greater than that specified for the fan can result in serious injury to the user, as well as damage to the fan. Using a power supply with a voltage less than the nameplate rating is harmful to the motor. If in doubt, do not plug in the fan.


 **WARNING:** Grounded fans must be plugged into an outlet properly installed and grounded in accordance with all codes and ordinances. This fan is equipped with a 3-prong plug and a 3-wire grounding system. Never remove the grounding prong or modify the plug in any way. Do not use any adapter plugs. Check with a qualified electrician if you are in doubt as to whether the outlet is properly grounded.


 **NOTE:** Double insulated fans are equipped with a polarized plug (one blade is wider than the other). This plug will fit in a polarized outlet only one way. If the plug does not fit fully in the outlet, reverse the plug. If it still doesn't fit, contact a qualified electrician to install a polarized outlet. Do not change the plug in any way.


 **WARNING:** To reduce the risk of electric shock, DO NOT use in damp conditions, on wet surfaces, or expose to rain. Do not plug in this fan or operate it with wet hands or while standing in water.


 **WARNING:** Never use the cord for carrying, pulling or unplugging the fan. Grasp plug and pull to disconnect from outlet. Keep cord away from heat, oil, sharp edges or moving parts. Replace damaged cords immediately.


 **WARNING:** Ensure the switch is in the off position before plugging the fan into the power outlet. In the event of a power failure while the fan is being used, turn the switch off to prevent surprise starting when the power is restored.


 **WARNING:** Always remove the power cord from the electric outlet when making adjustments, changing parts, cleaning or working on the fan.


 **WARNING:** Care should be taken to arrange the cord so it will not be stepped on, tripped over, or otherwise subjected to damage or stress.


 **WARNING:** Never attempt to plug in or operate equipment with defective or damaged wires, power cord or power cord plug. Have any defective or damaged parts replaced immediately by qualified personnel.


 **WARNING:** Avoid body contact with electrically grounded surfaces. There is an increased risk of electric shock if your body is grounded.

 **WARNING:** If the work area is not equipped with a permanently installed Ground Fault Circuit Interrupter outlet (GFCI), use a plug-in GFCI between the fan and the power receptacle.

 **WARNING:** This fan is for **INDOOR** use **ONLY**.

 **WARNING:** Do **NOT** use extension cords with this fan.

 **WARNING:** Never operate this fan without the protective front and rear guards in place. Do not stick anything through the guards that will come in contact with the moving blades (fingers, tools, etc.). Personal injury will result.

 **WARNING:** Never use this fan with any mister or spray attachment of any kind.

CAUTION

Read and follow all instructions before operating fan. Do not use fan if any part is damaged or missing.

SPECIFIC SAFETY WARNINGS

To reduce the risk of fire or electric shock, DO NOT use this fan with any solid state speed control device. This appliance has a three-prong grounded plug that must be inserted into a matching outlet. To reduce the risk of electric shock, the grounding plug must not be cut off the plug. Where a two-prong wall outlet is encountered, it must be replaced: contact a qualified electrician. Do not use the three-prong plug with a two-prong adapter. Do NOT attempt to defeat this safety feature. Use your fan only with adequate wiring that is up to local regulation requirement. Connect to properly grounded outlets only.

RULES FOR SAFE OPERATION

- Do not insert fingers or any objects through the guard when fan is in operation.
- Disconnect fan when not in use.
- Disconnect fan when moving from one location to another.
- Disconnect fan when removing guards for cleaning.
- Make sure fan is on a stable, flat surface when in operation.
- Do not use fan in windows. Rain and moisture may create an electrical hazard.
- Do not operate fan without fan guards properly locked.
- Do not use with extension cord.
- Do not place fan or any parts near an open flame, cooking or other heating appliance.
- Do not operate fan with a damaged cord or plug, especially when this unit has been malfunctioned, dropped or damaged.
- Close supervision is necessary when this unit is used by or near children.

OPERATING INSTRUCTIONS

Connect power plug to standard 120-volt AC outlet. Caution: Make sure the speed control is in "0" (off) position TO ADJUST AIRFLOW UPWARD OR DOWNWARD: Tilt the fan head to the desired angle as outlined in step 11 of the installation instructions.

SPEED CONTROL: Change the setting on the speed control to the desired setting-low "1", medium "2" or high "3". It is normal for the motor to feel warm to the touch during operation. The motor is thermally protected and will automatically shut off if it overheats. If this happens immediately disconnect the fan from the power outlet. The fan has three different speeds. Pull power chain once to operate the low speed and allow to operate for 10 seconds. Once 10 seconds have passed, you can pull the power chain to the medium or high position.

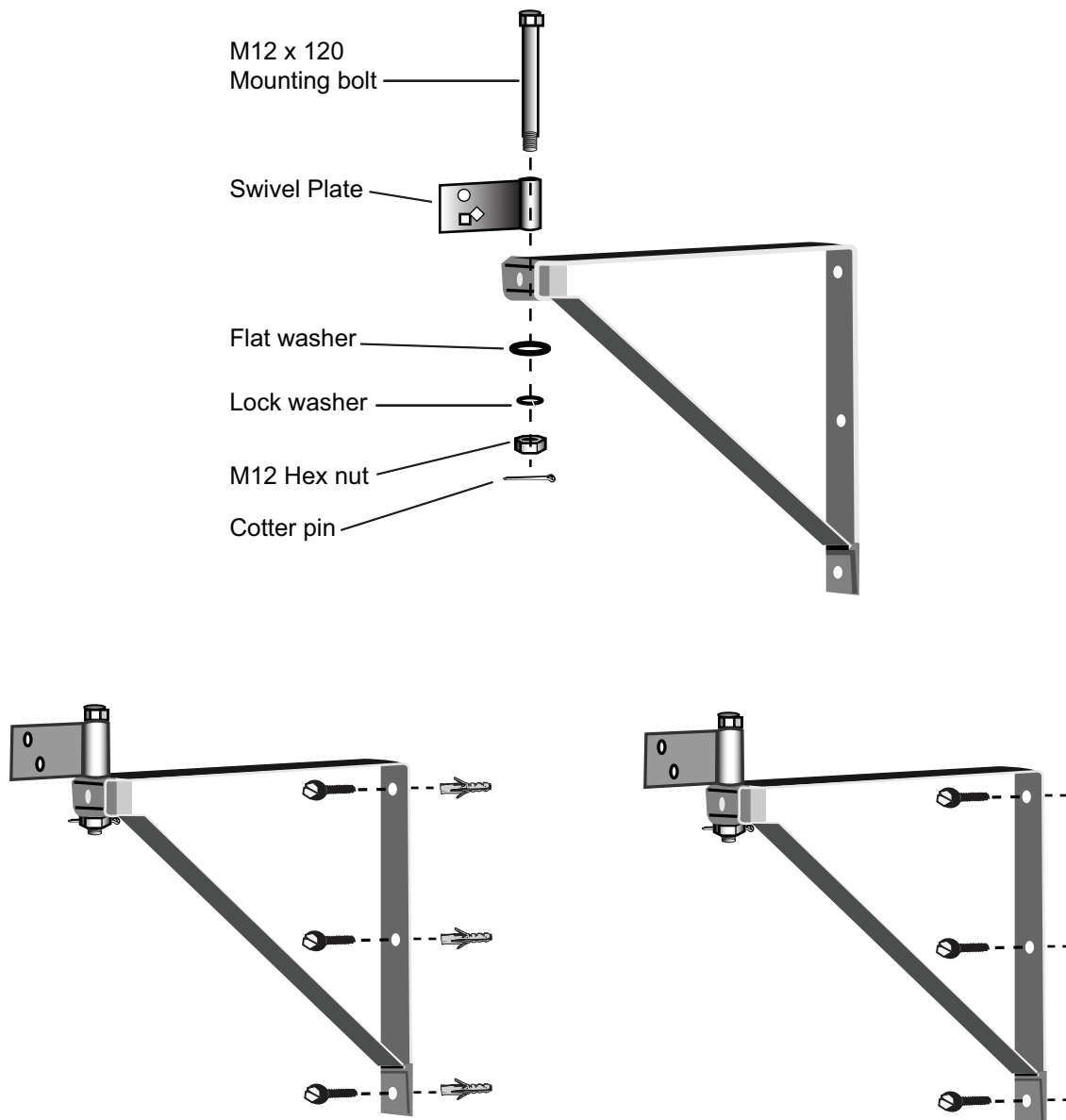
CLEANING

WARNING: Unplug from electrical supply source before cleaning. After servicing, any safety device (including grilles and blades) must be reinstalled or remounted as previously installed.

- Use soft damp cloth then dry with dry cloth.
- Do not use harmful cleaners.
- Do not bend the blades.
- Slightly moisten a cloth and then wipe off the surfaces of the fan.
- To remove the dust from the grill, use a vacuum cleaner, or remove the front grill.
- After cleaning, remount the front grill.

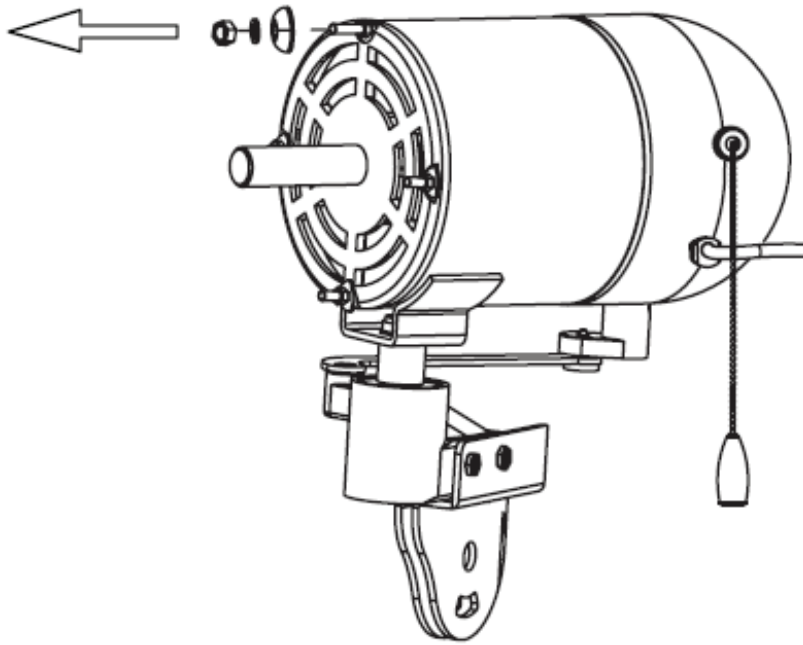
DO NOT IMMERSE THE MOTOR IN WATER

ASSEMBLY INSTRUCTIONS

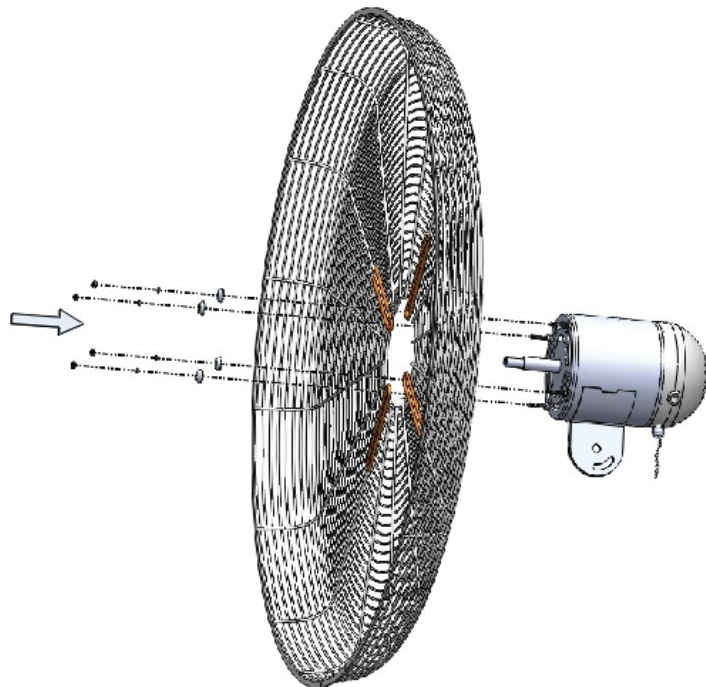


CAUTION: This fan is only suitable for mounting in studs or in a concrete wall. Do not use on dry wall, or other hollow wall mounting. Use the mounting accessories shipped with products for wall mounting.

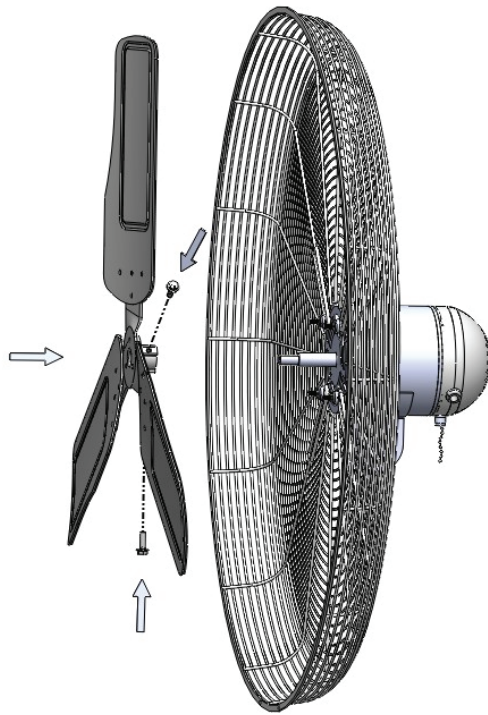
1. Assemble the swivel plate to the wall bracket using the hardware as shown above.
2. Locate your wall stud or suitable place on your concrete wall to mount your fan. Ideally, close to a power outlet.
3. Mark the hole locations by using the bracket, and then drill the holes.
4. For concrete wall installation, drill holes the same diameter as the wall anchors. After drilling, insert the wall anchors and tap them flush with the wall, position the bracket and then screw the screws into the anchors, securely attaching the bracket to the wall.
5. For wall stud installation, drill a pilot hole with a diameter smaller than that of your screws first, then position the bracket and screw the screws into the wall until they are secure.



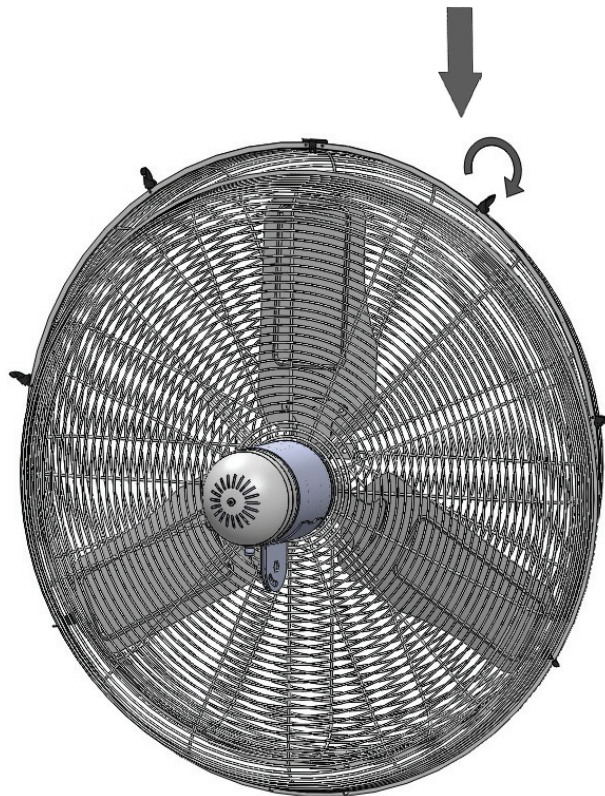
6. Remove four sets of hex nuts, spring washers and bowl washers from motor. Save them for step 7.



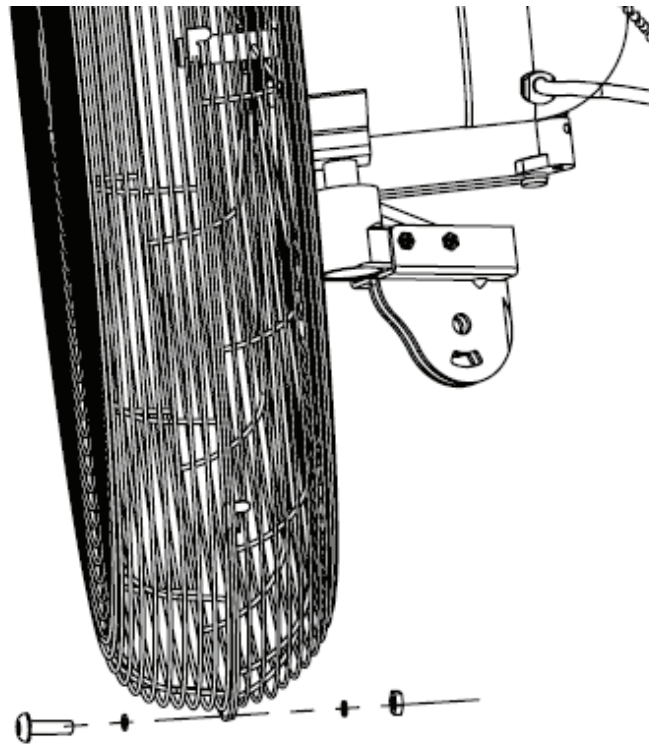
7. Set rear guard in proper position, with hole in guard frame at the bottom, and fix it to motor by securing with the hex nuts, spring washers and bowl washers that you removed in step 6.



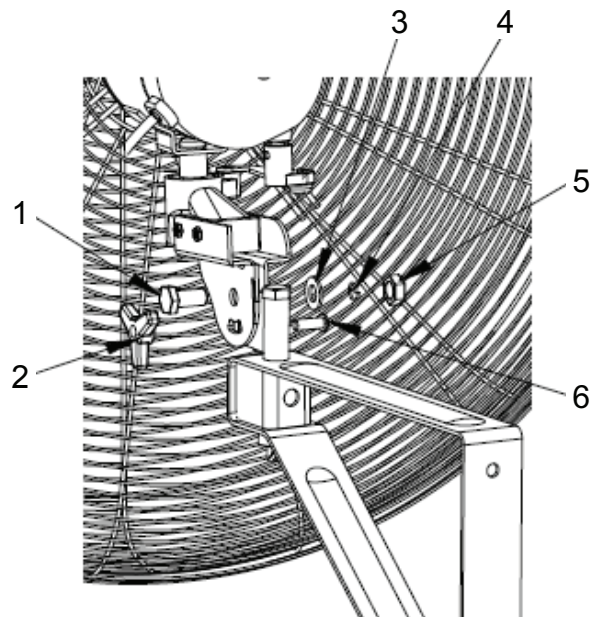
8. Assemble fan blade onto motor shaft by tightening the two screws. Make sure the screws are secured tightly.



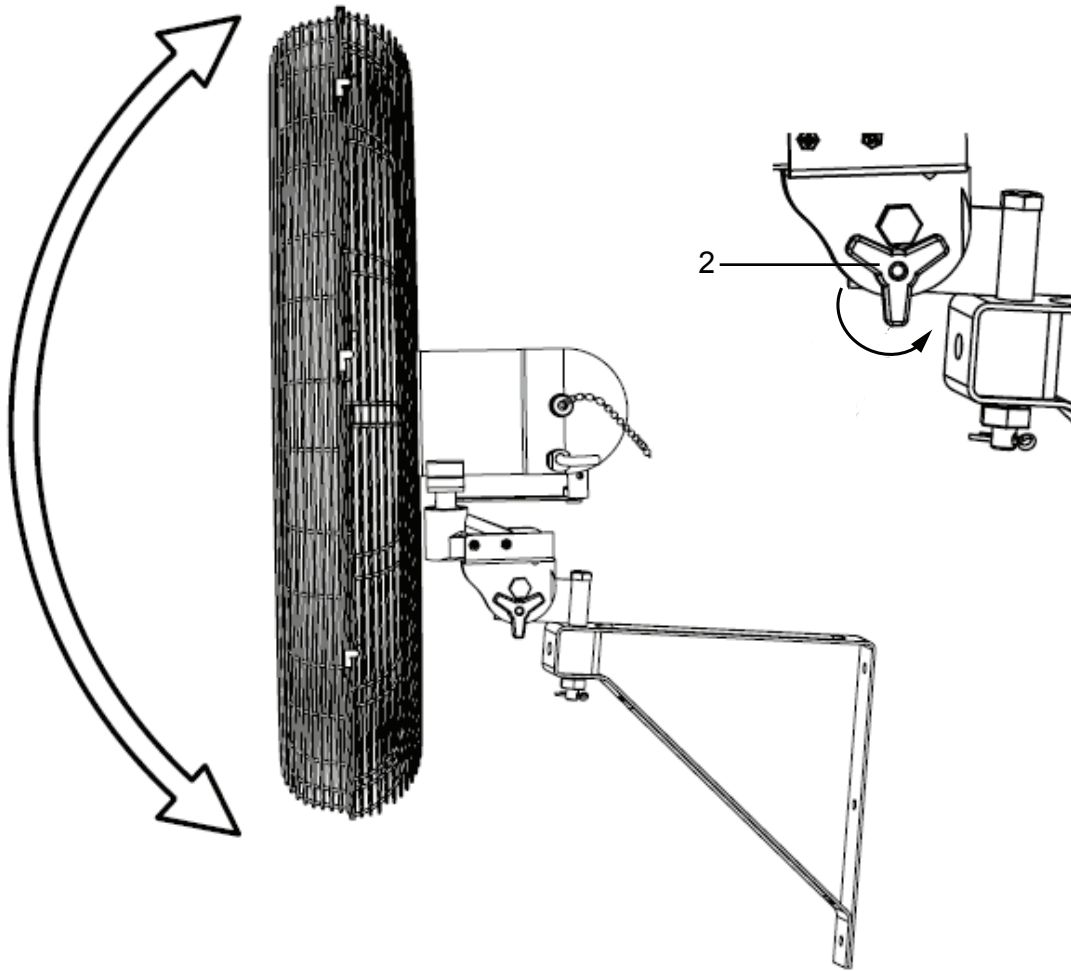
9. Assemble front guard to rear guard by fixing both guards together with clips on the rim of front guard positioning the hole in the guard rim at the bottom to match that of the rear guard.



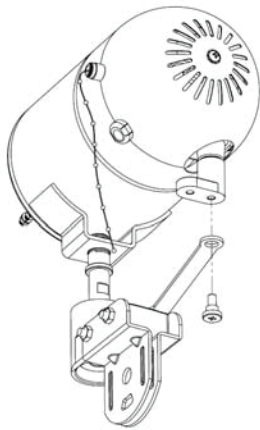
10. Secure the assembly of front and rear guards by tightening a screw and nut through the hole at the bottom position of the guards.



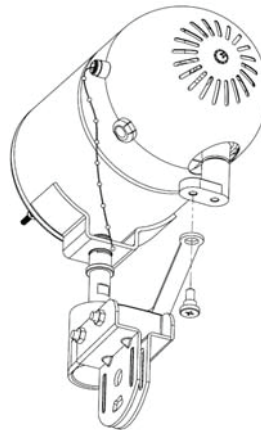
11. Insert the swivel plate into motor frame bracket and fasten it with #1, #3, #4 and #5 fasteners as shown above. Fasteners #2 and #6 will be used for adjusting the tilt angle of the fan.



12. Loosen #2 as mentioned in step 11, to change the tilt angle of the fan.



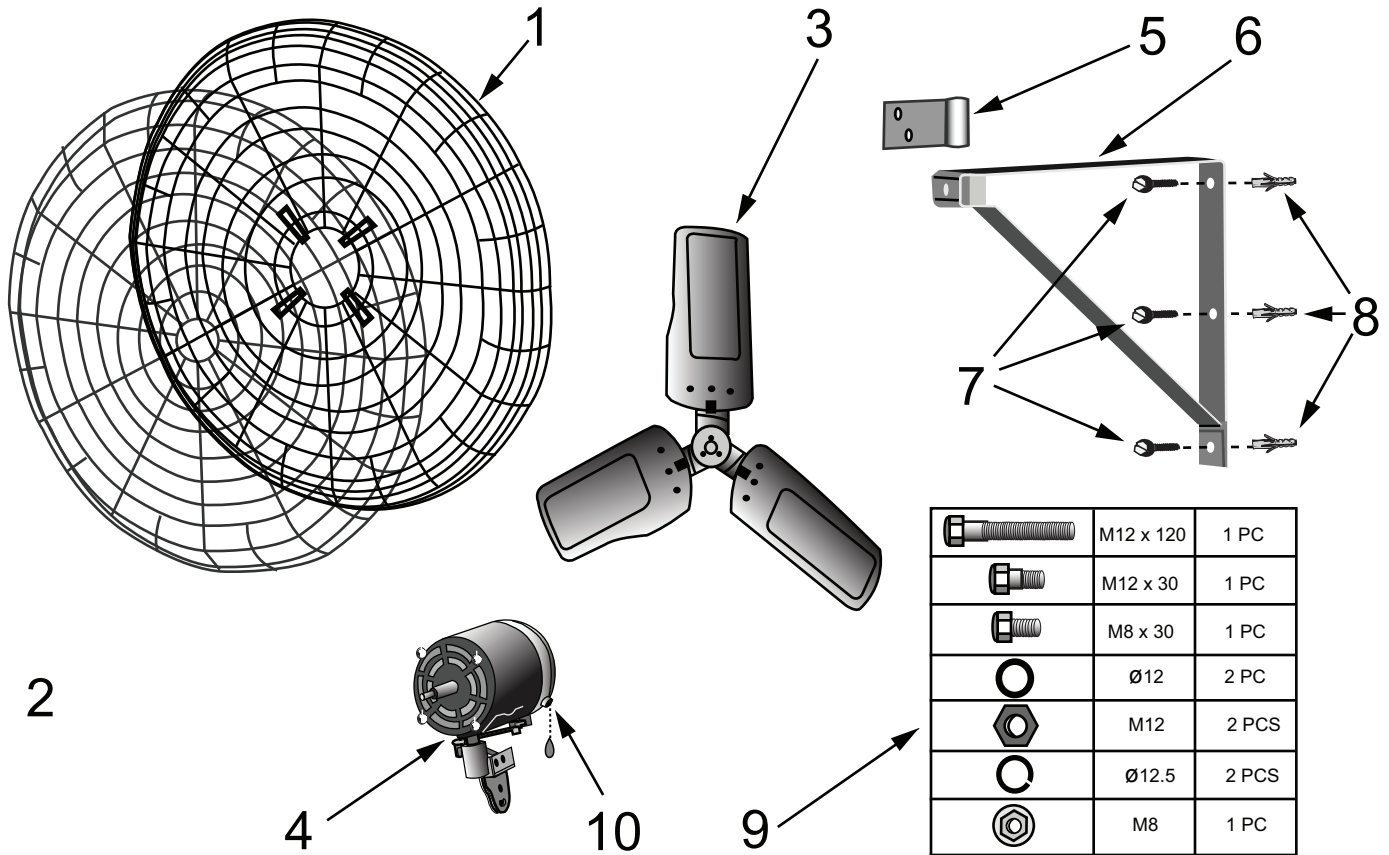
This fastening situation is for
Non-oscillation operation.



This fastening situation is for
Oscillation operation.



ATD-30334



	M12 x 120	1 PC
	M12 x 30	1 PC
	M8 x 30	1 PC
	Ø12	2 PC
	M12	2 PCS
	Ø12.5	2 PCS
	M8	1 PC
	HAND NUT M8	1 PC
	COTTER PIN	1 PC

OCILLATING MOTOR, CED3186-ATD-P4

ITEM#	ORDERING PART#	PART DESCRIPTION
1	PRT30330-01	FRONT & REAR GUARD, CED406-ATD-P1
2	PRT30330-01	FRONT & REAR GUARD, CED406-ATD-P1
3	PRT30330-02	FAN BLADE, 1 SET
4	PRT30335-04	MOTOR, 1 PC, CED3186-ATD-P4
5	PRT30331-05	SWIVEL PLATE 1 PC, CED3174-ATD-P5
6	PRT30331-06	WALL BRACKET, 1 PC, CED3174-ATD-P6
7	PRT30331-07	SCREW ST6 x 50 BOLT & WALL ANCHOR 3 PCS
8	PRT30331-07	SCREW ST6 x 50 BOLT & WALL ANCHOR 3 PCS
9	PRT30334-09	HARDWARE KIT*, CED3174-ATD-P9
10	PRT30330-10	PULL SWITCH, CED406-ATD-P10

***HARDWARE KIT INCLUDES:**

- 1) SCREW M12 x120 1 PC
- 2) SCREW M12 x 30 1 PC
- 3) SCREW M8 x 30 1 PC
- 4) WASHER Ø12, 2 PCS
- 5) HEX NUT M12, 2 PCS
- 6) LOCK WASHER Ø12.5, 2 PCS
- 7) HEX NUT M8, 1 PC
- 8) HAND KNOB M8, 1 PC
- 9) COTTER PIN, 1 PC



WARRANTY

1 YEAR LIMITED WARRANTY

THIS WARRANTY AND CONFIRMED RECEIPT(S) SHOULD BE RETAINED BY THE CUSTOMER AT ALL TIMES

PURCHASED FROM: _____

DATE PURCHASED: _____

INVOICE/RECEIPT NUMBER: _____

Your ATD-30334 is warranted for a period of 12 months from the original purchase date.

For a period of one (1) year from your purchase date, ATD Tools Inc. will repair or replace (at its option) without charge, your ATD product if it was purchased new and the product has failed due to a defect in material or workmanship which you experienced during normal use of the product. This limited warranty is your exclusive remedy.

To access the benefits of this warranty, contact your supplier, or point of sale directly. You may be advised to return the product under warranty, freight prepaid, to your supplier for warranty determination.

If this ATD product is altered, abused, misused, modified, or undergoes service by an unauthorized technician, your warranty will be void. We are not responsible for damage to ornamental designs you place on this ATD product and such ornamentation should not cover any warnings or instructions or they may void the warranty. This warranty does not cover scratches, superficial dents, and other abrasions to the paint finish that occur under normal use. It also does not cover normal wear items such as but not limited to brushes, batteries, drill bits, drill chucks, pads or blades.

Subject to the law in your state:

- (1) Your sole and exclusive remedy is repair or replacement of the defective product as described above.
- (2) ATD is not liable for any incidental damages, including but not limited to, lost profits and unforeseeable consequences.
- (3) The repair and replacement of this product under the express limited warranty described above is your exclusive remedy and is provided in lieu of all other warranties, express or implied. All other warranties, including implied warranties and warranties of merchantability or fitness for a particular purpose are disclaimed and, if disclaimer is prohibited, these warranties are limited to one year from your date of purchase of this product.

Some states' laws do not allow limited durations on certain implied warranties and some states' laws do not allow limitations on incidental or consequential damages. You should consult the law in your state to determine how your rights may vary.

[Affix receipt or invoice here for safe keeping]