



## ATD-30333 30" Tilting Drum Fan Owner's Manual



### Features:

- Powerful three-speed direct drive motor provides even airflow
- Convenient handles and durable rubber wheels provide added portability
- Durable ball bearing motor
- Balanced aluminum 3-blade design provides even airflow and quiet operation
- Automatic shut-off feature prevents overheating
- Durable black powder coat finish
- 7.8 ft. grounded cord

### Specifications:

- 2/5 Hp Motor
- Up to 9,120 CFM
- cETL listed
- One-Year Limited Warranty

**CAUTION:**

Read and follow all instructions before operating fan. Do not use fan if any part is damaged or missing.

**WARNING:**

1. To reduce the risk of fire or electric shock, do not use this fan with any solid state speed control device.
2. This appliance has a ground plug which is intended to fit in an outlet only one way. If this does not fit outlet, contact a qualified electrician. Do not attempt to bypass this procedure.
3. This product is for indoor use only.
4. Unplug from electrical supply source before cleaning.
5. If the power cord is damaged, contact your local service center or a qualified electrician to install an appropriate replacement cord to prevent any injury or damage.
6. Children should be supervised to ensure that they do not play with the appliance.

**RULES FOR SAFE OPERATION:**

1. Never insert fingers, pencils, or any other object through the guard when fan is running.
2. Disconnect the fan when moving from one location to another.
3. Disconnect the fan when removing grilles for cleaning.
4. Be sure fan is on a stable surface when operating to avoid overturning.
5. DO NOT use fan in window. Rain may create electrical hazard.
6. The fan is for commercial use only.
7. Do not leave the fan running unattended.

**USAGE**

**FAN OPERATION:** Always operate the fan in the upright position following all instructions and recommendations listed in this manual.

**FAN LOCATION:** Place the fan in the area of the room that will provide proper fan cooling.

**FAN CONNECTION:** Plug fan directly into 120 volt AC, 60 Hz wall outlet. Be sure the plug fits tightly in outlet. A loose connection may cause overheating and damage to the plug or fan.

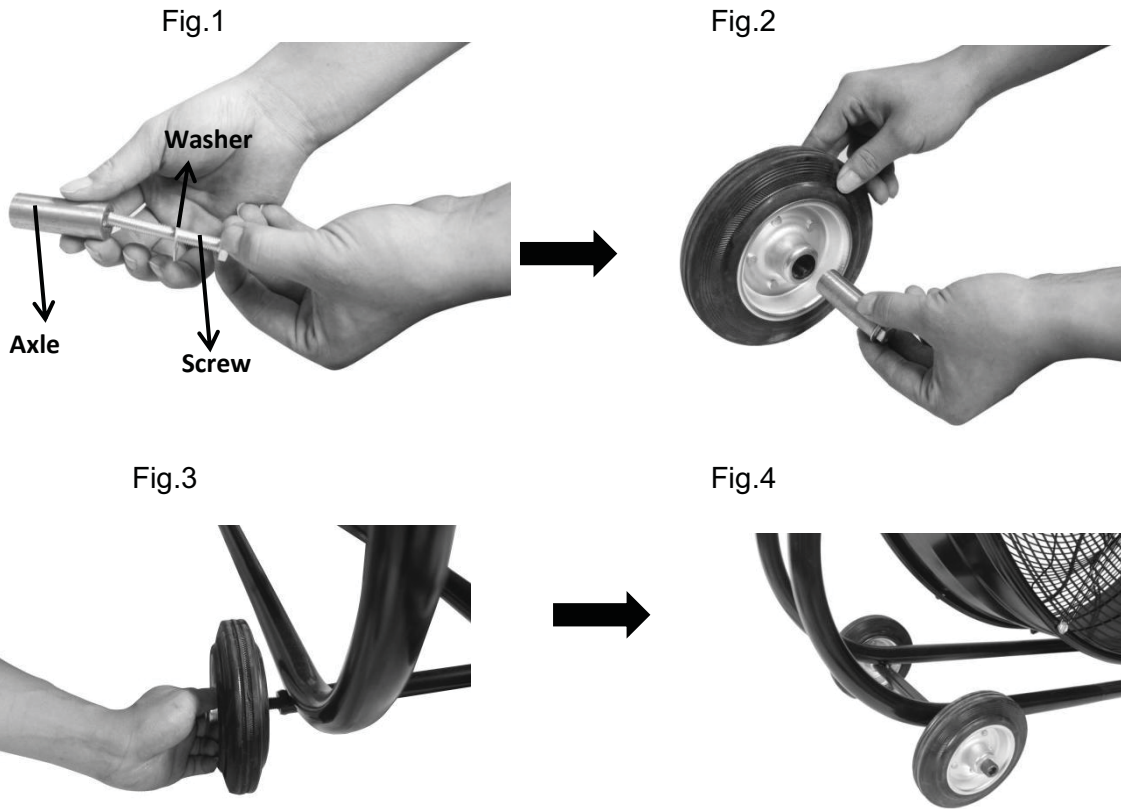
**NOTE:** To prevent overloading a circuit, do not plug the fan into a circuit that is servicing other electrical needs.

**TURNING FAN ON:** Place fan on stable level surface. Plug fan into properly grounded outlet. To start the fan, rotate the power knob from the OFF position to the desired fan speed HIGH, MEDIUM, LOW.

**TURNING FAN OFF:** To turn the fan off, rotate the power knob from the current fan speed setting to the off position. Remove plug from outlet.

### **WHEEL ASSEMBLY**

Insert the screw with washer into the axle (Fig.1), then insert the axle into the wheel hub (Fig.2). Tighten it as shown (Fig.3&4).



### **FEET ASSEMBLY**

Align the holes on the cradle with the holes on the square tube and secure them with screws.



## **Care and Maintenance**

**Cleaning:** CAUTION-Before cleaning the fan be sure to disconnect power cord from the plug. Clean the grille surface with a clean damp cloth. Do not use harsh chemical or abrasive cleaners. DO NOT IMMERSE THE FAN OR ANY WIRES IN WATER. Replace front grille before fan use. Allow fan to dry completely before use. Periodic grille cleaning with a vacuum will prevent dust build up. The motor is sealed and does not require any interior maintenance, cleaning or lubrication.

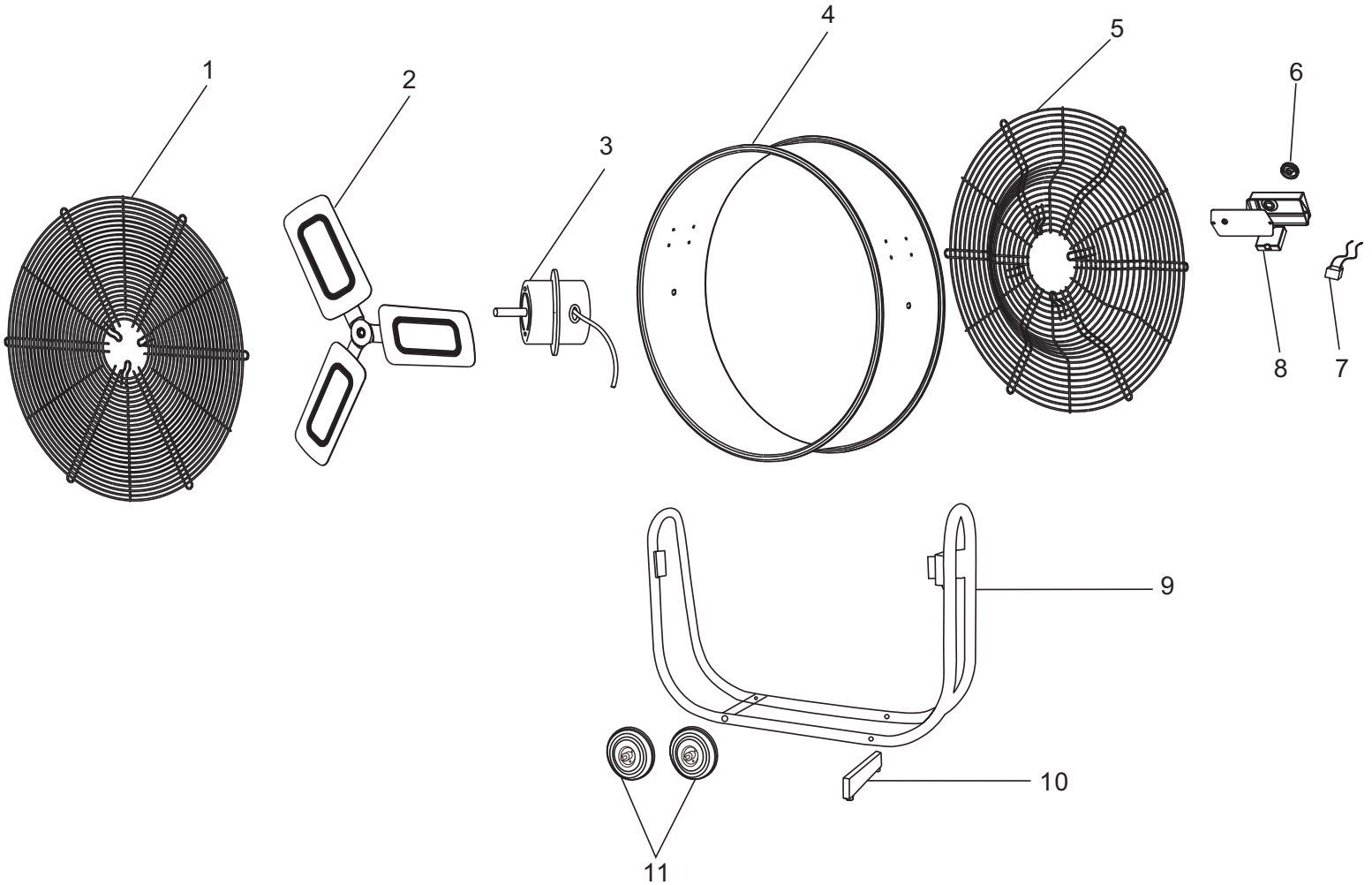
**Maintenance:** The Internal motor bearings are permanently lubricated at the factory and do not require any additional lubrication.

**Repair:** DO NOT OPERATE THE FAN WITHOUT THE GRILLE IN PLACE. DO NOT USE THE FAN IF IT HAS MALFUNCTIONED OR BECOME DAMAGED IN ANY WAY.

**Storage:** Keep original carton for storage of the fan. Coil and tie the power cord to avoid damage during storage.

## REPLACEMENT PARTS

Not all components of this product are replacement items, but are illustrated as a convenient reference for position in the assembly sequence. When ordering parts, give model number, part number and description. Call your distributor for current pricing:



ITEM#	ORDERING PART#	PART DESCRIPTION
1	PRT30333-01	FRONT GUARD
2	PRT30333-02	BLADE
3	PRT30333-03	MOTOR
4	PRT30333-04	DRUM
5	PRT30333-05	REAR GUARD
6	PRT30333-06	SWITCH KNOB
7	PRT30333-07	CAPACITOR
8	PRT30333-08	SWITCH
9	PRT30333-09	U-SHAPE SUPPORT FRAME
10	PRT30333-10	FAN FEET
11	PRT30336A-09	WHEELS



# ATD<sup>®</sup>

## WARRANTY

### 1 YEAR LIMITED WARRANTY

**THIS WARRANTY AND CONFIRMED RECEIPT(S) SHOULD BE RETAINED BY THE CUSTOMER AT ALL TIMES**

PURCHASED FROM: \_\_\_\_\_

DATE PURCHASED: \_\_\_\_\_

INVOICE/RECEIPT NUMBER: \_\_\_\_\_

Your ATD-30333 is warranted for a period of 12 months from the original purchase date.

For a period of one (1) year from your purchase date, ATD Tools, Inc. will repair or replace (at its option) without charge, your ATD product if it was purchased new and the product has failed due to a defect in material or workmanship which you experienced during normal use of the product. This limited warranty is your exclusive remedy.

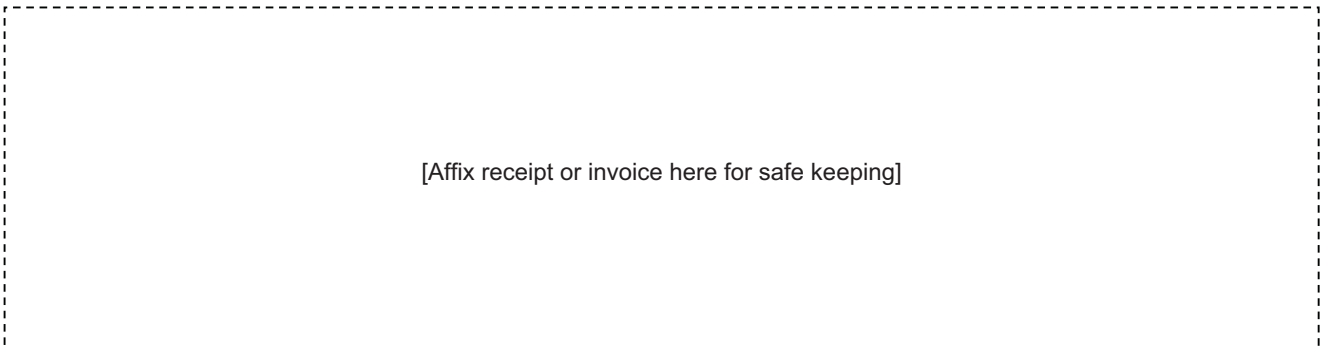
To access the benefits of this warranty, contact your supplier, or point of sale directly. You may be advised to return the product under warranty, freight prepaid, to your supplier for warranty determination.

If this ATD product is altered, abused, misused, modified, or undergoes service by an unauthorized technician, your warranty will be void. We are not responsible for damage to ornamental designs you place on this ATD product and such ornamentation should not cover any warnings or instructions or they may void the warranty. This warranty does not cover scratches, superficial dents, and other abrasions to the paint finish that occur under normal use. It also does not cover normal wear items such as but not limited to brushes, batteries, drill bits, drill chucks, pads or blades.

Subject to the law in your state:

- (1) Your sole and exclusive remedy is repair or replacement of the defective product as described above.
- (2) ATD is not liable for any incidental damages, including but not limited to, lost profits and unforeseeable consequences.
- (3) The repair and replacement of this product under the express limited warranty described above is your exclusive remedy and is provided in lieu of all other warranties, express or implied. All other warranties, including implied warranties and warranties of merchantability or fitness for a particular purpose are disclaimed and, if disclaimer is prohibited, these warranties are limited to one year from your date of purchase of this product.

Some states' laws do not allow limited durations on certain implied warranties and some states' laws do not allow limitations on incidental or consequential damages. You should consult the law in your state to determine how your rights may vary.



[Affix receipt or invoice here for safe keeping]