



ATD-7229 300 lbs. Tire and Wheel Cart Owner's Manual



Features:

- Easily remove and install truck tire and wheel assemblies
- Suitable for tire diameters of 36" to 48"

Specifications:

- Capacity: 300 lbs.
- Roller Spread: 19-1/2"
- Roller Length: 9-1/2"
- Overall: 50" x 27-1/2" x 20"

SAFETY AND GENERAL INFORMATION

Save these instructions. For your safety, read, understand, and follow the information provided with and on this product before using. The owner and/or operator of this equipment should have an understanding of this equipment and safe operating procedures before attempting to use. The owner and/or operator should be aware that use and repair of this product may require special skills and knowledge. Instructions and safety information should be conveyed in the operator's native language before use of this product is authorized. If any doubt exists as to the safe and proper use of this wheel dolly, remove from service immediately.

Inspect before each use. Do not use if broken, bent, cracked, or damaged parts (including labels) are noted. Any tire cart that appears damaged in any way, operates abnormally or is missing parts, should be removed from service immediately and the manufacturer notified. If you suspect that the product was subjected to a shock load (a load dropped suddenly, unexpectedly upon it), immediately discontinue use until it has been checked by a factory authorized service center (contact distributor or manufacturer for list of authorized service centers). Replace worn or damaged parts with factory authorized replacement parts only. Labels and owner's manuals are available from manufacturer.

PRODUCT DESCRIPTION

The ATD Tools Tire Cart is designed to facilitate the removal, transportation and installation of a single pneumatic tire/wheel assembly as found on many trucks, buses and trailers. This is **NOT** suitable for use as a wheel and tire puller. It is designed **ONLY** for use in removing up to rated capacity tire and wheel assemblies which are **not** bound and/or seized up at the brake drum or hub assemblies.

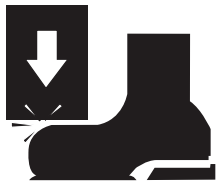


NEVER load this device with more than the weight of the tire to be moved!

SPECIFICATIONS

Model	Capacity	Roller Spread	Roller Length	Overall Size (L x W x H)
ATD-7229	300 lbs.	19-1/2"	9-1/2"	50" x 27-1/2" x 20"

! WARNING



To avoid crushing and related injuries and or property damage:

- **Read**, understand and follow all printed materials provided with and on this product.
- Do not exceed rated capacity.
- Use only on hard, level surfaces capable of sustaining the load.
- **Always** use **both hands** to control tire and Tire Cart.
- Move slowly and maintain tire in as close to vertical position as possible
- No alterations should be made to this product
- Failure to heed these markings may result in personal injury and/or property damage.

BEFORE USE

1. Verify that the product and the application are compatible, if in doubt call Technical Service line (636) 327-9050. Read the owner's manual completely and familiarize yourself thoroughly with this product, its components, and recognize the hazards associated with its use.
2. Assemble the Tire Cart as shown in Figure 2.
3. Check to ensure the Tire Cart wheels roll freely and smoothly before putting into service. Replace worn or damaged parts with factory authorized replacement parts only. Contact the manufacturer or distributor of this product for a list of factory authorized service centers.

OPERATION

! Follow the vehicle manufacturers recommended removal and installation procedures for tire, wheel or hub. After the tire/wheel assembly has been loosened from the hub or axle and is ready to be removed, position the tire cart under the tire to be removed. Adjust cart position such that the tire/wheel assembly will balance between rollers without falling.

Loading the Tire Cart

- !** NEVER load this device beyond rated capacity!
- !** NEVER use the Tire Cart as a wheel pulling device. Before transporting wheel assembly, ensure that it is free from the hub or drum assembly and balanced between the rollers.

When the weight of the loosened tire and wheel assembly is supported by the Tire Cart, **carefully** roll the cart away from the drum or axle.

- !** Always use **both hands** to control tire and Tire Cart!

Transporting the Loaded Tire Cart

1. Ensure that tire is properly placed on the rollers.
2. When wheel assembly has cleared the hub or the axle, push or pull to desired location. Walk slowly, exercise caution and look ahead to avoid obstacles while using both hands to control the tire and the tire cart.

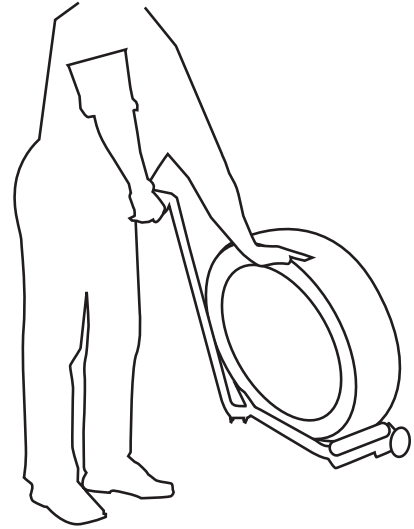
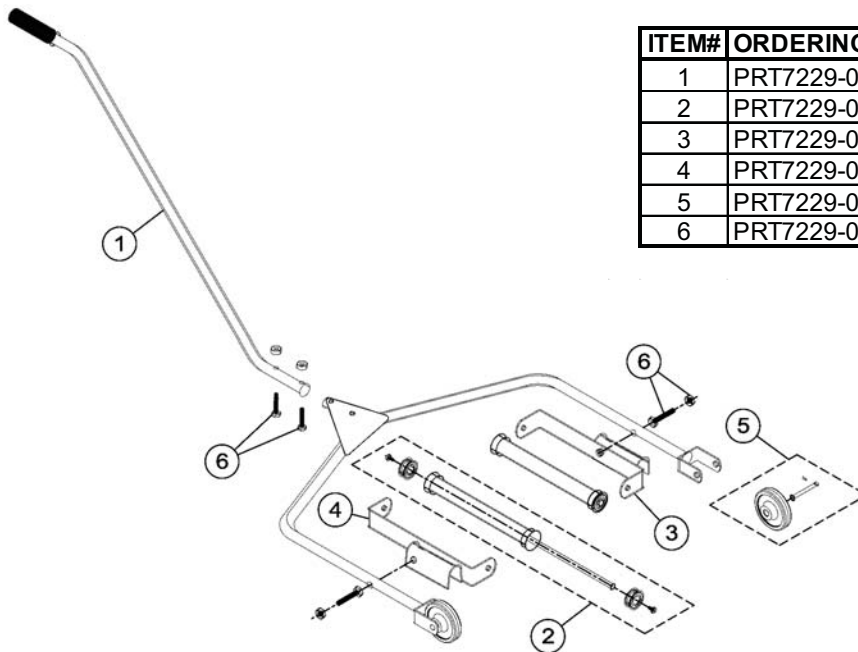


Figure 1 - Always use both hands

REPLACEMENT PARTS

Not all components of this Tire Cart are replacement items, but are illustrated as a convenient reference of location and position in the assembly sequence. When ordering parts, give model number, parts number and parts description. Call your distributor for current pricing.



ITEM#	ORDERING PART#	PART DESCRIPTION
1	PRT7229-01	HANDLE ASSEMBLY
2	PRT7229-02	ROLLER ASSEMBLY
3	PRT7229-03	LEFT ROLLER FRAME
4	PRT7229-04	RIGHT ROLLER FRAME
5	PRT7229-05	WHEEL ASSEMBLY
6	PRT7229-06	FRAME HARDWARE KIT

Figure 2 - Parts Illustration for Tire Cart



WARRANTY
1 YEAR LIMITED WARRANTY

THIS WARRANTY AND CONFIRMED RECEIPT(S) SHOULD BE RETAINED BY THE CUSTOMER AT ALL TIMES

PURCHASED FROM: _____

DATE PURCHASED: _____

INVOICE/RECEIPT NUMBER: _____

Your ATD-7229 is warranted for a period of 12 months from the original purchase date.

For a period of one (1) year from your purchase date, ATD Tools Inc. will repair or replace (at its option) without charge, your ATD product if it was purchased new and the product has failed due to a defect in material or workmanship which you experienced during normal use of the product. This limited warranty is your exclusive remedy.

To access the benefits of this warranty, contact your supplier, or point of sale directly. You may be advised to return the product under warranty, freight prepaid, to your supplier for warranty determination.

If this ATD product is altered, abused, misused, modified, or undergoes service by an unauthorized technician, your warranty will be void. We are not responsible for damage to ornamental designs you place on this ATD product and such ornamentation should not cover any warnings or instructions or they may void the warranty. This warranty does not cover scratches, superficial dents, and other abrasions to the paint finish that occur under normal use. It also does not cover normal wear items such as but not limited to brushes, batteries, drill bits, drill chucks, pads or blades.

Subject to the law in your state:

- (1) Your sole and exclusive remedy is repair or replacement of the defective product as described above.
- (2) ATD is not liable for any incidental damages, including but not limited to, lost profits and unforeseeable consequences.
- (3) The repair and replacement of this product under the express limited warranty described above is your exclusive remedy and is provided in lieu of all other warranties, express or implied. All other warranties, including implied warranties and warranties of merchantability or fitness for a particular purpose are disclaimed and, if disclaimer is prohibited, these warranties are limited to one year from your date of purchase of this product.

Some states' laws do not allow limited durations on certain implied warranties and some states' laws do not allow limitations on incidental or consequential damages. You should consult the law in your state to determine how your rights may vary.

[Affix receipt or invoice here for safe keeping]