



ATD-8525

20 GALLON PARTS WASHER INSTRUCTION MANUAL

IMPORTANT SAFETY INSTRUCTIONS

1. Read all instructions before using this unit.
2. Care must be taken as burns can occur from touching hot parts.
3. Do not operate the equipment with a damaged cord or if the equipment has been dropped or damaged. Return the equipment to our service center for examination or mechanical adjustments or repair.
4. Do not let cord hang over edge of table, bench or counter or come in contact with hot manifolds or moving fan blades.
5. If an extension cord is necessary, a cord with a current rating equal to or more than that of the equipment should be used. Cords rated for less current than the equipment may overheat. Care should be taken to arrange the cord so that it will not be tripped over or pulled.
6. Always unplug equipment from electrical outlet when not in use. Never use the cord to pull the plug from the outlet. Grasp plug and pull to disconnect.
7. Let equipment cool completely before putting away. Loop cord loosely around equipment when storing.

8. To reduce the risk of fire, do not operate equipment in the vicinity of open containers of flammable liquids (gasoline).
9. Adequate ventilation should be provided when working on operating internal combustion engines.
10. Keep hair, loose clothing, fingers and all parts of body away from working parts.
11. To reduce the risk of electric shock, do not use on wet surfaces or expose to rain.
12. Use the equipment only as described in this manual. Use only manufacturer's recommended attachments.
13. **ALWAYS WEAR SAFETY GLASSES.** Everyday eyeglasses only have impact resistant lenses, they are **NOT** safety glasses.
14. **USE AQUEOUS BASED SOLVENTS THAT ARE RECOMMENDED FOR THIS PARTS WASHER ONLY**
15. **WARNING:** Do not fill parts washer above the top fluid level mark.

SAVE THESE INSTRUCTIONS

ASSEMBLY INSTRUCTIONS:

1. Remove machine from carton and inspect for any visual damage.
2. Remove parts from inside the machine
3. Lay cardboard on the floor and lay machine on its lid (Make sure to hold the cover closed when laying machine on its lid.)
4. Mount four legs on brackets with M6x12 screws, Lock washers and M6 nut.

NOTE: DO NOT TIGHTEN YET.

5. Place lower shelf between legs with flat surface up and attach to legs with M6X12 screws, Lock washers and M6 nuts.
6. With legs pressed tight against lower shelf, tighten all screws to lower shelf
7. Tighten all the screws installed in step 4
8. Stand machine up, be careful to hold lid closed
9. Put work shelf and basket into the machine
10. Mount pump assembly into slot on the side of the machine with M6X12 screw, lock washer and nut. Then place filter screen cover in position. Flexible spigot should be carefully screwed into pump and hand tightened only.

NOTE: DO NOT OVER TIGHTEN.

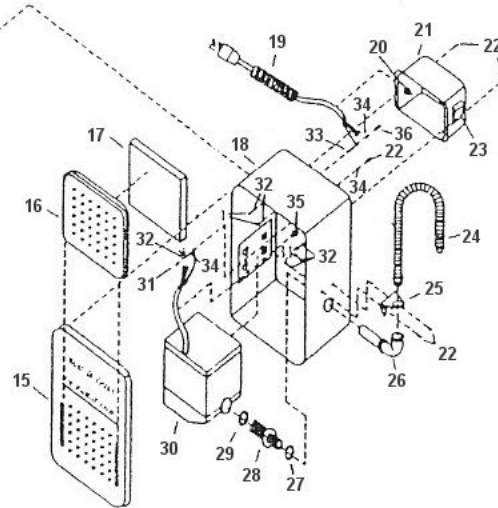
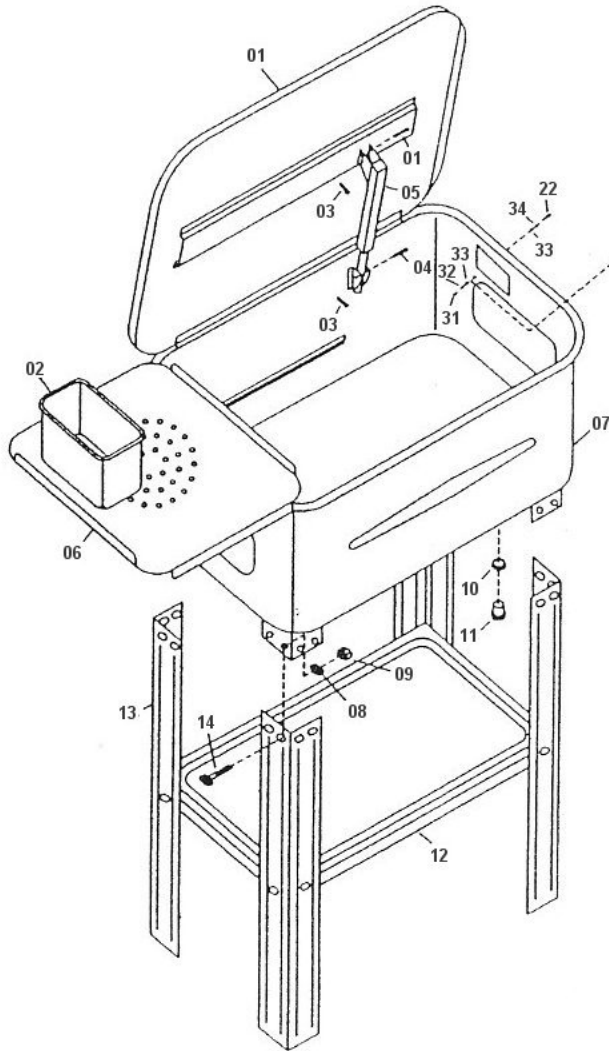
11. Plug machine into standard 120V60Hz grounded outlet and fill with proper amount of fluid
12. Turn switch on. Fluid should now be flowing from the flexible spigot.

TECHNICAL SPECIFICATIONS:

Model	ATD-8525
Overall Dimensions	30-3/4"X21-3/4"X35-3/4"
Tank Dimensions	29-7/8"X20-3/4"X10-8/10"
Max Solvent Capacity	20 Gallons
Max Pump Output	5.25 gal/Min
Gross Weight	63 lbs



ATD-8525



ORDERING PART#	ITEM#	PART DESCRIPTION
PRT8525-01	1	COVER
PRT8525-02	2	WORK BASKET
PRT8525-03	3	SPRING PIN (COTTER KEY)
PRT8525-04S	4	PIN, SHORT (20mm)
PRT8525-04L	4	PIN, LONG (30mm)
PRT8525-05	5	SAFETY PLATE
PRT8525-06	6	WORK SHELF
PRT8525-07	7	BODY
PRT8525-08	8	SPRING WASHER
PRT8525-09	9	NUT, M5
PRT8525-10	10	O-RING
PRT8525-11	11	PLUG
PRT8525-12	12	SHELF
PRT8525-13	13	LEG
PRT8525-14	14	PAN SCREW
PRT8525-15	15	PUMP HOUSING COVER
PRT8525-16	16	FILTER COVER
PRT8525-17	17	SCREEN (FILTER)
PRT8525-18	18	PUMP HOUSING

ORDERING PART#	ITEM#	PART DESCRIPTION
PRT8524-118	19	CABLE & PLUG
PRT8524-117	20	STRAIN RELIEF
PRT8525-21	21	SWITCH BOX
PRT8525-22	22	SCREW
PRT8524-116	23	SWITCH
PRT8525-24	24	FLEXABLE PIPE
PRT8525-25	25	ELBOW SEAT
PRT8525-26	26	ELBOW
PRT8525-27	27	PLASTIC WASHER
PRT8525-28	28	SPIGOT
PRT8525-29	29	SEAL RING
PRT8524-106	30	PUMP
PRT8525-31	31	NUT
PRT8525-32	32	SPRING WASHER
PRT8525-33	33	DENTIFORM WASHER
PRT8525-34	34	FLAT WASHER
PRT8525-35	35	RUBBER SHEATH
PRT8525-36	36	HEX SCREW
PRT8525-37	N/A	HARDWARE KIT