

SABER® EXACT MATCH™

ATD-80453 EXACT MATCH LED LIGHT Owner's Manual



EXACT MATCH™ high color rendering index (CRI) lights are designed for use by paint and body shop technicians for the visual examination of color and appearance of automotive coatings and finishes.

Features and Specifications

- High CRI (color rendering index) COB LED light closely matches natural light
- Adjustable tripod stand (19" to 57") allows hands free use and positioning of the light for coverage over a wide work area
- Rugged diecast aluminum housing provides superior IP65 dust and moisture resistance
- Glass lens is resistant to paint shop solvents
- Rechargeable lithium-ion battery provides extended operating life and consistent power
- Blow molded case includes storage space for the SABER® EXACT MATCH™ hand held light and accessories (ATD-80450 not included)
- 3.7 Volt, 5200mAh Li-ion rechargeable battery
- 5V 2A DC adapter
- 4000-4500K color temperature

Operating instructions

- To use, plug the AC adapter unit into any 110-120V AC power source and into the light. Let the unit fully charge until the green indicator inside the Mini DC socket turns on.
- To ensure longevity, charge this light every month if not in constant use and after each use if it is used often.
- To turn on and off, press the switch on the back of the light head: Low, High, Off.

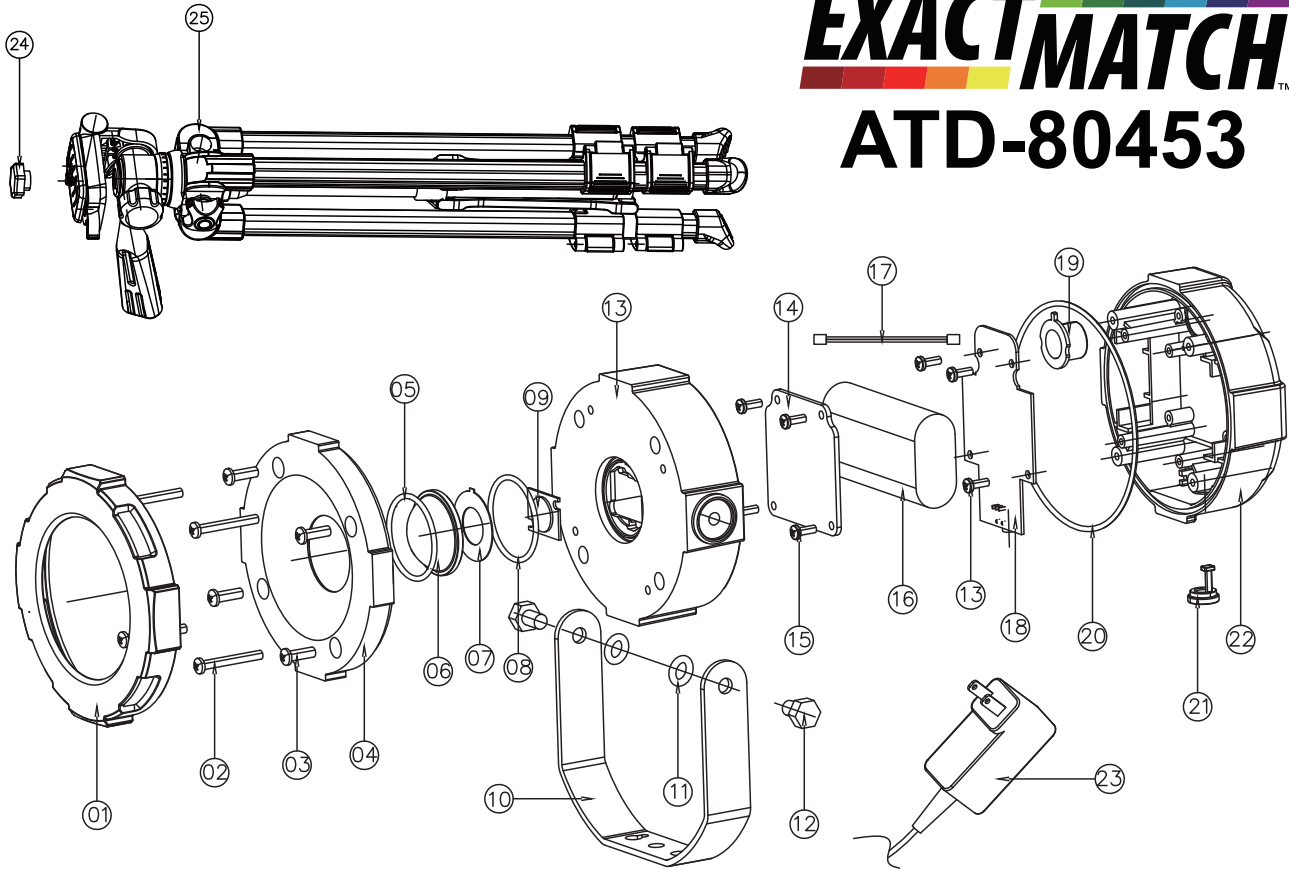
Cautions

- Use only the recommended voltage and frequency requirements.
- Keep out of reach of children.
- Do not operate light in wet areas or with wet hands.
- Keep lamp away from hot objects.

⚠ WARNING ⚠

WARNING: This product contains chemicals, including lead, known to the State of California to cause cancer, birth defects or other reproductive harm. Wash hands after handling.

SABER[®] EXACTMATCH[™] ATD-80453



ITEM#	ORDERING PART#	PART DESCRIPTION
1	PRT80453-01	SILICON RING
2	PRT80453-02	SCREW A
3	PRT80453-03	SCREW B
4	PRT80453-04	UPPER HOUSING
5	PRT80453-05	O RING 5
6	PRT80453-06	LENS
7	PRT80453-07	RING LABEL
8	PRT80453-08	O RING 1
9	PRT80453-09	LED
10	PRT80453-10	BRACKET
11	PRT80453-11	NYLON WASHER
12	PRT80453-12	BOLT A
13	PRT80453-13	MIDDLE HOUSING

ITEM#	ORDERING PART#	PART DESCRIPTION
14	PRT80453-14	BATTERY COVER
15	PRT80453-15	SCREW C
16	PRT80453-16	BATTERY
17	PRT80453-17	LED CONNECTING WIRE
18	PRT80453-18	PCBA
19	PRT80453-19	BUTTON
20	PRT80453-20	O RING
21	PRT80453-21	DC COVER
22	PRT80453-22	BACK HOUSING
23	PRT80453-23	ADAPTER
24	PRT80453-24	BOLT B
25	PRT80453-25	TRIPOD STAND

ATD-80543 Assembly Instructions

REF NO	DESCRIPTION	QTY
01	LIGHT HEAD	1
02	BOLT	1
03	TOOTH WASHER	1
04	SPRING WASHER	1
05	TRIPOD STAND	1
06	HAND NUT	1

- 1) Insert bolt (02) through tripod shoe. Position light head bracket (01) on top of bolt and slide tooth washer (03) and spring washer (04) over bolt and tighten hand nut (06) securely.
- 2) Pull back the spring release lever on the tripod head and slide tripod shoe (with light attached) into the tripod head. Release lever to secure light head assembly.

OPERATION

- 1) Lamp is turned on and off with a switch located on the back of the light head.

