



## ATD-80400

# XTRA THIN LONG LIGHT

## Owner's Manual



### Features

- Ultra-thin design pivots to allow inspection in the tightest work areas
- (16) SMD LED bulbs with (2) brightness settings - 400 lumens (high), 200 lumens (low)
- (1) SMD LED bulb top light offers an additional flashlight function - 30 lumens
- 3.7V 4000mAh lithium-ion rechargeable battery for longer life and consistent power
- Light wand pivots 180 degrees to direct light to work area
- Super strong magnetic base sticks to steel surfaces
- Battery power level indicator
- Includes inspection mirror and magnet pickup tool attachments
- 360 degrees rotating hanging hook recesses into base
- Includes versatile 3-in-1 charging system
- Automatic shut-off and overcharge protection for optimal battery life
- Tough, impact resistant ergonomic housing with anodized aluminum wand
- Run Time: Up to 3-hours (high), up to 5.5-hours (low)
- Length: 18.9"

### Specifications

- Main Bulb: (16) SMD LED'S
- Brightness : 400 lumens (High), 200 lumens (low)
- Top Bulb: (1) SMD LED
- Brightness: 30 lumens
- 3.7V 4000mAh lithium-ion rechargeable battery
- Run Time: Up to 3-hours (high), up to 5.5-hours (low)
- Length: 18.9"
- Weight: 0.90 lbs.

### Operating instructions

- To use, plug the unit into any 110-120V AC power source, 12V DC power source or 5V DC USB port. Let the unit fully charge until the 4 LED's light up on the charging indicator before use.
- Press the switch once for front bulb low power, twice for top LED, three times for front bulb high power and four times for top LED and five times for off.
- Charge the light after each use if it is used often to ensure longevity. Charge light every month if it is not in constant use.

### Cautions

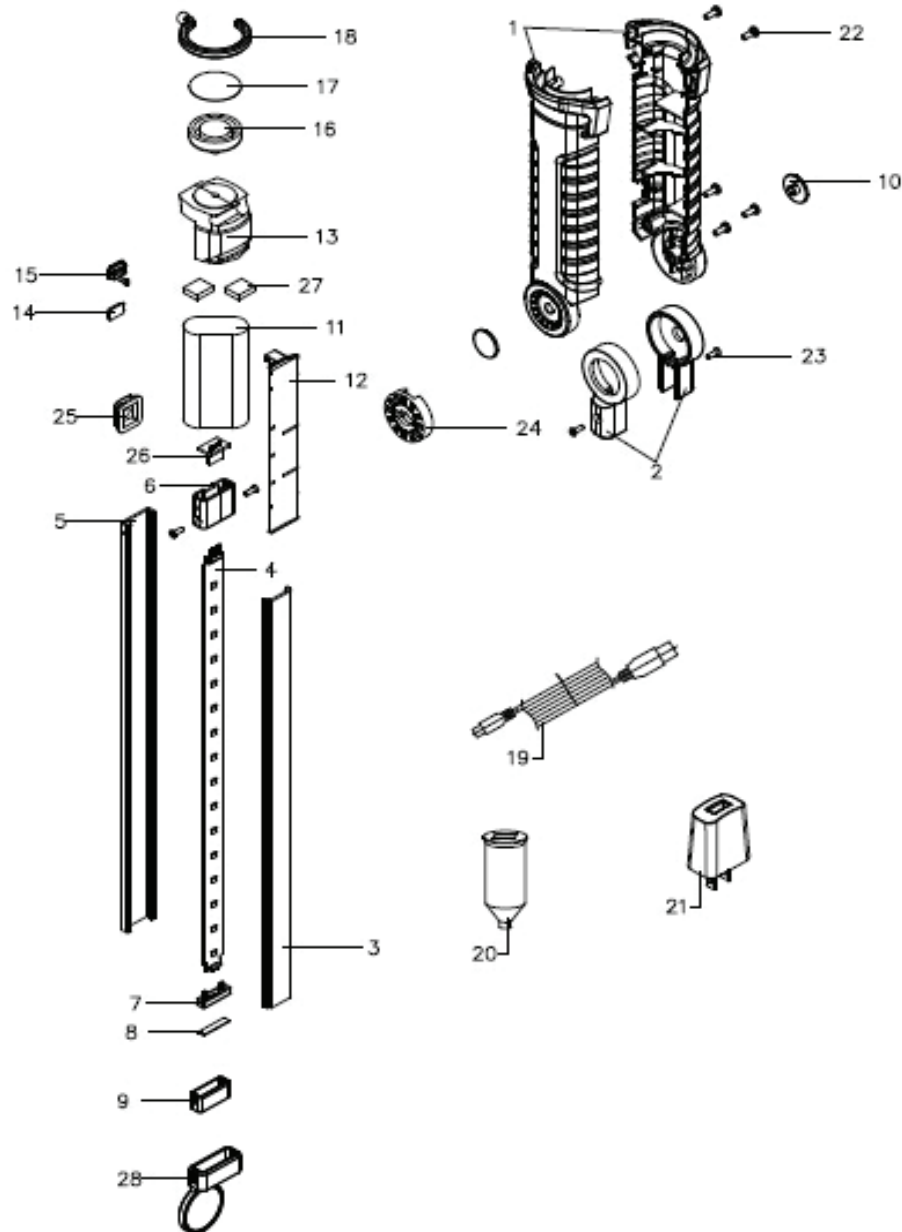
- **DO NOT USE** in or around tubs, showers, sinks, pools, hot tubs, or in any wet environment.
- Use only the recommended voltage and frequency requirements.
- Keep out of reach of children.
- Do not operate light with wet hands.
- Keep light away from hot objects.



## WARNING



**WARNING:** This product contains chemicals, including lead, known to the State of California to cause cancer, birth defects or other reproductive harm. **Wash hands after handling.**



ITEM#	ORDERING PART#	PART DESCRIPTION
1	PRT80395-01	HANDLE SET ASSEMBLY
2	PRT80400-02	FIXED BLOCK ASSEMBLY
3	PRT80400-03	LIGHT COVER
4	PRT80400-04	LED BOARD
5	PRT80400-05	LAMP HOLDER
6	PRT80400-06	CONNECTOR
7	PRT80350-09	TOP COVER
8	PRT80350-25	TOP LABEL
9	PRT80400-09	MAGNET ASSEMBLY
10	PRT80395-11	LOGO
11	PRT80395-12	LI-ION BATTERY
12	PRT80400-12	SWITCH BOARD
13	PRT80395-14	COUNTER WEIGHT
14	PRT80395-15	BOTTOM COVER

ITEM#	ORDERING PART#	PART DESCRIPTION
15	PRT80395-16	USB COVER
16	PRT80395-17	MAGNET
17	PRT80395-18	MAGNET LABEL
18	PRT80395-19	BASE HOOK
19	PRT80304-27	USB CABLE
20	PRT80304-31	DC ADAPTER
21	PRT80304-22	AC ADAPTER
22	PRT80395-23	SCREW A
23	PRT80400-23	SCREW B
24	PRT80395-25	GEAR TOOTH
25	PRT80395-26	BUTTON
26	PRT80400-26	PCB CONNECTING BOARD
27	PRT80395-28	FOAM PAD
28	PRT80400-28	MIRROR ASSEMBLY