

SABER®

ATD-80349

MINI THIN LIGHT Owner's Manual



Features & Specifications

- Ultra-thin design pivots to allow inspection in the tightest work areas
- (5) SMD LED bulbs illuminate the lighting area – 120 lumens
- (1) SMD LED top light offers an additional flashlight function – 30 lumens
- 3.7V 700mAh Li-Ion rechargeable battery for long life and consistent power
- Strong magnetic base sticks to steel surfaces
- Light wand pivots to direct light to the work area
- Includes versatile 3-in-1 charging system
- Automatic shut-off and overcharging protection for optimal battery life
- Tough, impact resistant ergonomic housing
- Run time: Up to 3-hours continuous
- Length: 7.7"

Operating instructions

- To use, plug the unit into any 110-120V AC Power source, 12V DC power source or 5V DC USB port. Let the unit fully charge until red indicator near the USB charging port turns green before use.
- Press the switch once for top light; twice for front light; three times to turn off.
- Charge the light after each use if it is used often to ensure longevity. Charge light every month if not in constant use.

Cautions

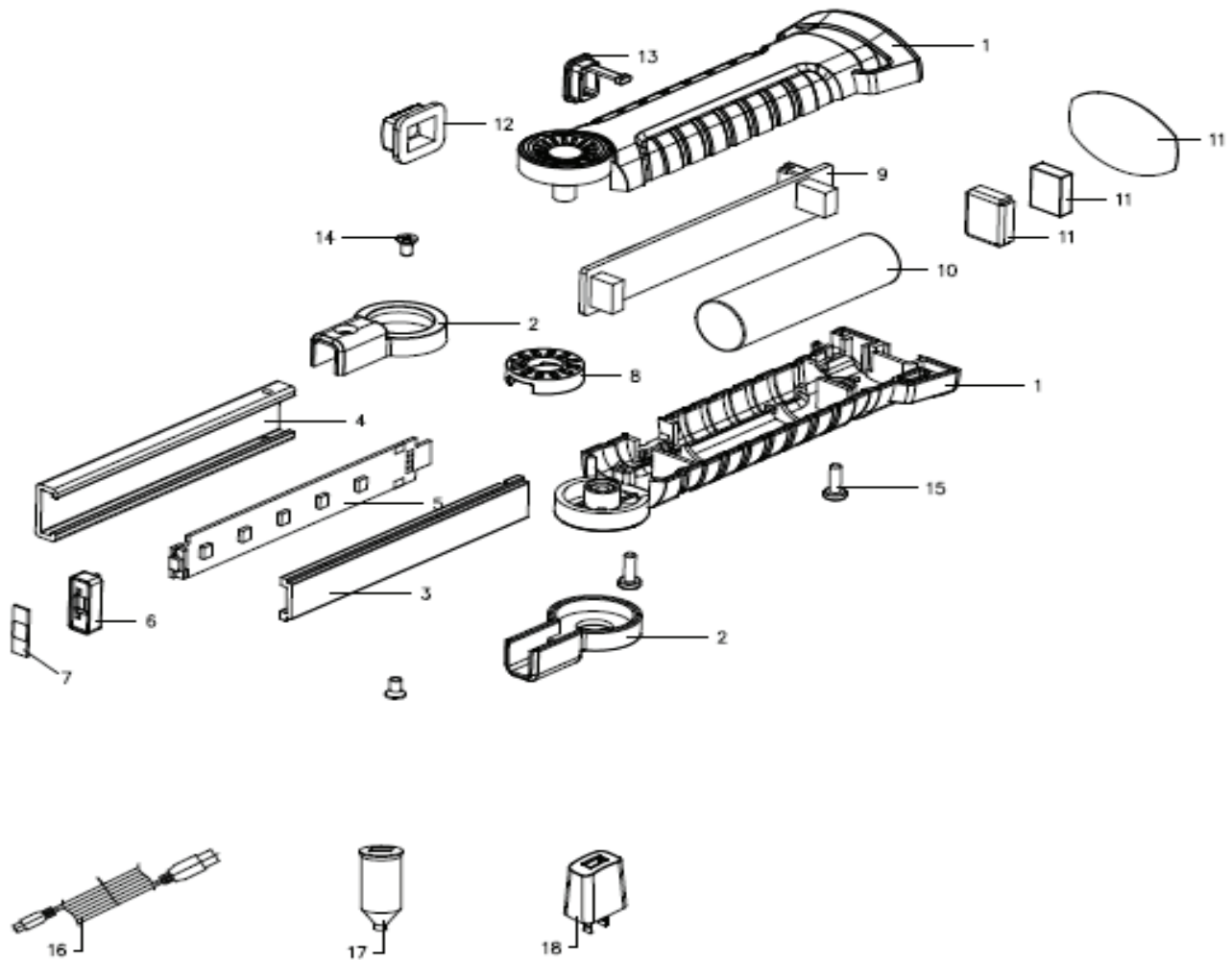
- **DO NOT USE** in or around tubs, showers, sinks, pools, hot tubs, or in a wet environment.
- Use only the recommended voltage and frequency requirements.
- Keep out of reach of children.
- Do not operate light with wet hands.
- Keep light away from hot objects.

⚠ WARNING ⚠

WARNING: This product contains chemicals, including lead, known to the State of California to cause cancer, birth defects or other reproductive harm. **Wash hands after handling.**

Made in China to ATD Tools, Inc. Specifications
Visit us at www.atdtools.com

ATD-80349



ITEM#	ORDERING PART#	PART DESCRIPTION
1	PRT80349-01	HANDLE SET ASSY
2	PRT80349-02	LIGHT FIXED BLOCK ASSY
3	PRT80349-03	LIGHT COVER
4	PRT80349-04	LAMP HOLDER
5	PRT80349-05	PCB BOARD
6	PRT80349-06	TOP COVER
7	PRT80349-07	TOP LABEL
8	PRT80349-08	GEAR TOOTH
9	PRT80349-09	CONTROL BOARD
10	PRT80318-10	LI-ION BATTERY
11	PRT80349-11	MAGNET ASSY
12	PRT80349-12	SWITCH
13	PRT80395-16	USB COVER
14	PRT80349-14	SCREW A 2.5*5
15	PRT80349-15	SCREW B 2.5*10
16	PRT80304-27	USB CONNECTION LINE
17	PRT80304-31	CAR ADAPTOR
18	PRT80304-22	AC ADAPTOR