



## ATD-80318

### Saber II 18- SMD LED Work Light Owner's Manual



#### Features And Specifications:

- 18 Super bright SMD LEDs
- 3.7V 700mAh Li-Ion rechargeable battery
- Up to 2~3 hours of continuous use
- With Automatic shut off and over charge protection, prolongs battery life
- Impact protection, ergonomic grip handle and bumper
- Easy operating switch
- 2 pcs 360 degree rotating hook easy for working used
- UL listed charger

#### Operating instructions

- To use, plug the unit into any 110-120 VAC power source, such as a wall receptacle. Let the unit fully charge until the green indicator on the charger turns on before use.
- Charge this light every month if not in constant use, and after each use, it is used often to insure longevity.
- Press the switch at the bottom of the handle to turn unit on, press the switch again to turn it off.

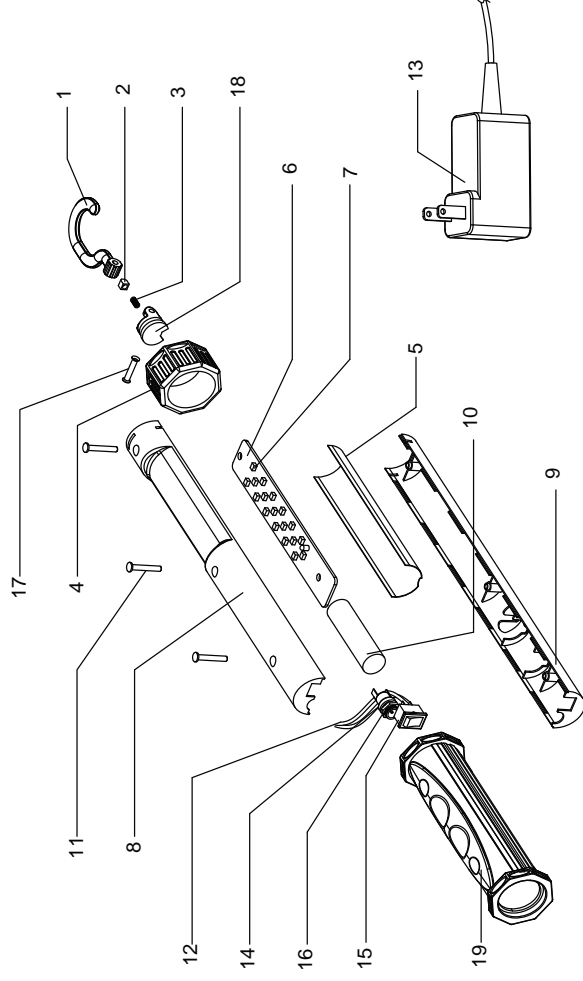
#### Cautions:

- For indoor use only - don't use in or around tubs, showers, sinks, pools, hot tubs, or in a wet environment
- Use only the recommended voltage and frequency requirements
- Keep out of reach of children
- Do not operate light with wet hands.
- Keep lamp away from hot objects.

Made in China to ATD Tools, Inc. Specifications  
Visit us at [www.atdtools.com](http://www.atdtools.com)



## ATD-80318



ITEM#	ORDERING PART #	PART DESCRIPTION
1	PRT80318-01-18	HOOK ASSEMBLY (ITEMS 1, 2, 3, 17 & 18)
2	PRT80318-01-18	HOOK ASSEMBLY (ITEMS 1, 2, 3, 17 & 18)
3	PRT80318-01-18	HOOK ASSEMBLY (ITEMS 1, 2, 3, 17 & 18)
4	PRT80318-04	TOP CAP
5	PRT80318-05	LOGO PAPER
6	PRT80318-06-07	PCBA ASSEMBLY (ITEMS 6 & 7)
7	PRT80318-06-07	PCBA ASSEMBLY (ITEMS 6 & 7)
8	PRT80318-08	TOP COVER
9	PRT80318-09	BOTTOM COVER
10	PRT80318-10	LI-ION BATTERY
11	PRT80318-11	SCREW
12	PRT80318-12	WIRE
13	PRT80318-13	CHARGER
14	PRT80318-14	DC POWER INLET
15	PRT80318-15	ON/OFF SWITCH
16	PRT80318-16	SCREW
17	PRT80318-01-18	HOOK ASSEMBLY (ITEMS 1, 2, 3, 17 & 18)
18	PRT80318-01-18	HOOK ASSEMBLY (ITEMS 1, 2, 3, 17 & 18)
19	PRT80318-19	HANDLE