



ATD-80164

64 - SMD LED Cordless Work Light Owner's Manual



Features and Specifications:

- 64 Super Bright SMD LEDs
- 7.4V 2200mAh Li-Ion battery pack
- Up to 4-5 hours of continuous use
- With auto shut off function and overcharge protection can prolong the battery life
- With low voltage indicator on the light
- Dual 360°swivel hooks for hanging versatility
- ABS handle with double injection, impact protection and ergonomic design provide comfortable usage
- UL listed charger

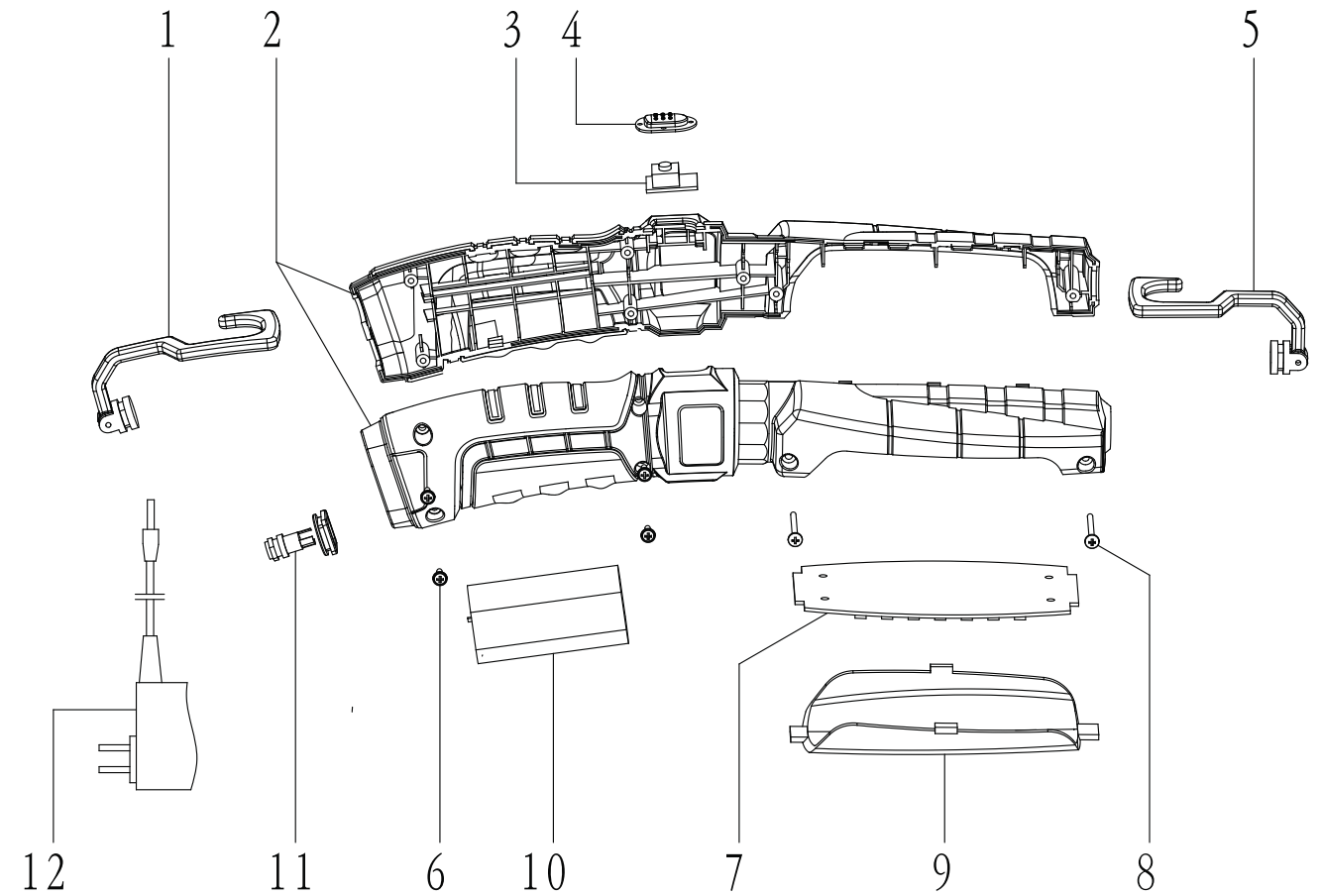
Operating instructions

- To use, plug the unit into any 110-120 VAC power source, such as a wall receptacle. Let the unit fully charge until the green indicator on the charger turns on before use.
- Charge this light every month if not in constant use, and after each use it is used often to insure longevity.
- Press the switch at the back of the handle to turn unit on, press the switch again to turn unit off.

Cautions

- For indoor use only - don't use in or around, tubs, showers, sinks, pools, hot tubs, or in a wet environment
- Use only the recommended voltage and frequency requirements
- Do not use if the cords are damaged
- Keep out of reach of children
- Do not operate light with wet hands
- Keep lamp away from hot objects

Made in China to ATD Tools, Inc. Specifications
Visit us at www.atdtools.com



ITEM#	ORDERING PART#	PART DESCRIPTION
1	PRT80163-01	TOP HOOK
2	PRT80163-02	HANDLES(LEFT AND RIGHT)
3	PRT80163-03	BUTTON SWITCHES (WITH PCB)
4	PRT80163-04	BUTTON
5	PRT80163-05	END HOOK
6	PRT80163-06	SCREW1
7	PRT80164-07	PCBA
8	PRT80163-08	SCREW2
9	PRT80163-09	CLEAR LENS
10	PRT80164-10	LI-ION BATTERY
11	PRT80164-11	DC CHARGING CONNECTOR
12	PRT80164-12	CHARGER

黑白印刷 210*29双页印 157克版