



## ATD-80070

# 13 Watt Impact Resistant Light Owner's Manual

### Features and Specifications:

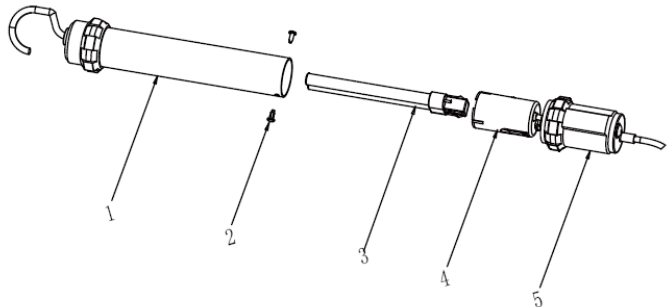
- 13W super bright fluorescent bulb provides 120 Lux brightness
- 25 ft 18/2 SJTOW cord remains flexible in cold weather and is oil & grease resistant
- High impact shatterproof housing
- Drop resistant with high impact Lexan lens
- Includes 360° flexible ratcheting hook

### Operating instructions

- To use, plug the unit into any 110-120 VAC power source, such as a wall receptacle.
- Depress switch to turn on, depress switch again to turn off.

### To Change the Bulb

- Take off unit from bottom cap (5)
- Remove the plastic tube and rivet (1&2)
- Take off interior bulb and stand base (3&4)
- Replace bulb
- Assembly is the reverse of disassembly



### Cautions

- **Do NOT service this light while it is plugged in** – It may cause electric shock
- **Do NOT submerge in water** – It may cause electrical shock and/or fire. To clean, wipe with damp cloth only, do not use solvents, and clean only when the unit is unplugged from power source.
- **Do NOT use this lamp in an explosive atmosphere** – Near flammable liquids or when explosion proof lamps are required.
- **The warnings, cautions and instructions discussed in this instruction manual cannot cover all possible condition and situations that may occur.** It must be understood by the operator that common sense and caution are factors that cannot be built into this product, but must be supplied by the operator.



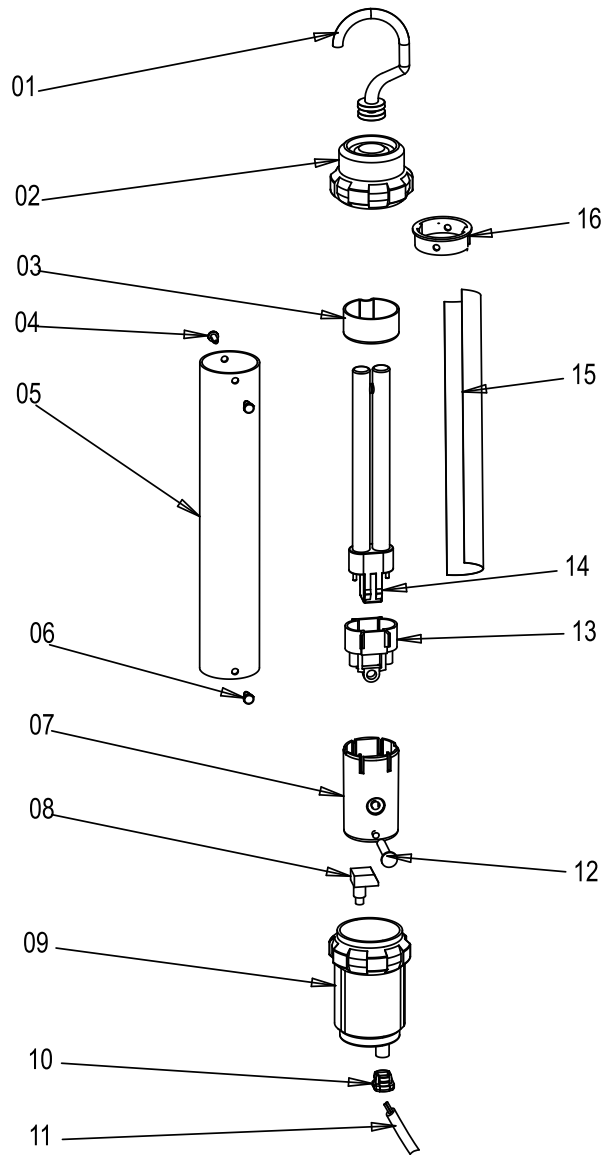
### California Prop 65 WARNING:

This product contains chemicals including lead, known to the State of California to cause cancer, birth defects, or other reproductive harm. **Wash hands after handling.**

Made in China to ATD Tools, Inc. Specifications

Visit us at [www.atdtools.com](http://www.atdtools.com)

# ATD-80070



ITEM#	ORDERING PART#	PART DESCRIPTION
1	PRT80070-01	HOOK,CARBON SPRING STEEL BLACK
2	PRT80070-02	TOP CAP
3	PRT80070-03	TUBE GUARD
4	PRT80070-04	RIVET A,4*5 MH4050
5	PRT80070-05	TRANSPARENT TUBE
6	PRT80070-06	RIVET B
7	PRT80070-07	BASE,PP V2 BLACK WITH SWITCH HOLE
8	PRT80070-08	BUTTON SWITCH,18#2 WHITE WIRE
9	PRT80070-09	BOTTOM CAP
10	PRT80070-10	WIRE BUCKLE,5P-4
11	PRT80070-11	25FT CORD
12	PRT80070-12	STOPPER
13	PRT80070-13	LAMP SOCKET
14	PRT80070-14	BULB
15	PRT80070-15	LOGO PAPER
16	PRT80070-16	SWITCH ORIENTATION BOARD