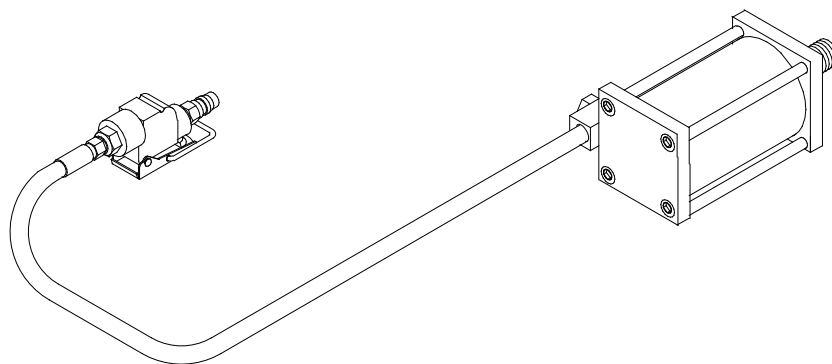




Air Motor Kit

Operating Instructions & Parts Manual

Model Number Atd-7399



**Atd Tools Inc.
160 Enterprise Drive, Wentzville MO 63385**

Printed in Taiwan
Atd7399-M0 rev 10/06
U.S. PATENT 5,341,723

Save these instructions. For your safety, read, understand, and follow the information provided with and on this device. The owner and operator of this equipment shall have an understanding of this product and safe operating procedures before attempting to use. The owner and operator shall be aware that use and repair of this product may require special skills and knowledge. Instructions and safety information shall be conveyed in the operator's native language before use of this product is authorized. If any doubt exists as to the safe and proper use of this product, remove from service immediately. **Inspect before each use.** Do not use if broken, bent, cracked, or damaged parts are noted. Any air motor that appears damaged in any way, operates abnormally or is missing parts, shall be removed from service immediately. It is recommended that an annual inspection be done by qualified personnel.

PRODUCT DESCRIPTION

Atd Tools air motor kit is designed for retrofitting to compatible Atd Tools air actuated hydraulic jacks or as a replacement air motor. Ensure that your air source can dedicate 57.8 CFM @ 90-175 PSI to each air motor operated. To ensure dependable, troublefree operation, an air dryer and oiler is recommended.

SPECIFICATIONS

| Model | Pump Size (L x W x H) | Air Pressure Required | Required HP of Air Compressor | Air Consumption |
|----------|-----------------------|-----------------------|-------------------------------|-----------------|
| Atd-7399 | 3" x 3" x 6 5/8" | 90 - 175 PSI | 3 HP | 7.8 CUFT/ Min. |

BEFORE USE

1. Verify that the product and the application are compatible, if in doubt call Atd Tools Technical Service (636) 327-9050.
2. Before using this product, read the operator's manual completely and familiarize yourself thoroughly with the product, its components and recognize the potential hazards associated with its use.
3. Pour a teaspoon of good quality air tool lubricant into the air supply inlet of the lift control valve. Connect to air supply and operate for 3 seconds to evenly distribute lubricant.

Note. The lift control valve is fitted to accept the common 1/4" NPT air nipple. When installing 1/4" NPT nipple of your choice, ensure that thread tape or compound is used when servicing connections. To ensure dependable, trouble free operation an inline air dryer and oiler is recommended.

⚠ WARNING

- Study, understand, and follow all printed materials provided with/on this product before use.
- Always wear protective eyewear when using air tools or equipment.
- Some hydraulic fluid may leak out during installation procedure. Take necessary precautions to avoid needless spillage, slipping hazard.
- No alterations shall be made on this product.
- Failure to heed these markings may result in personal injury and/or property damage.

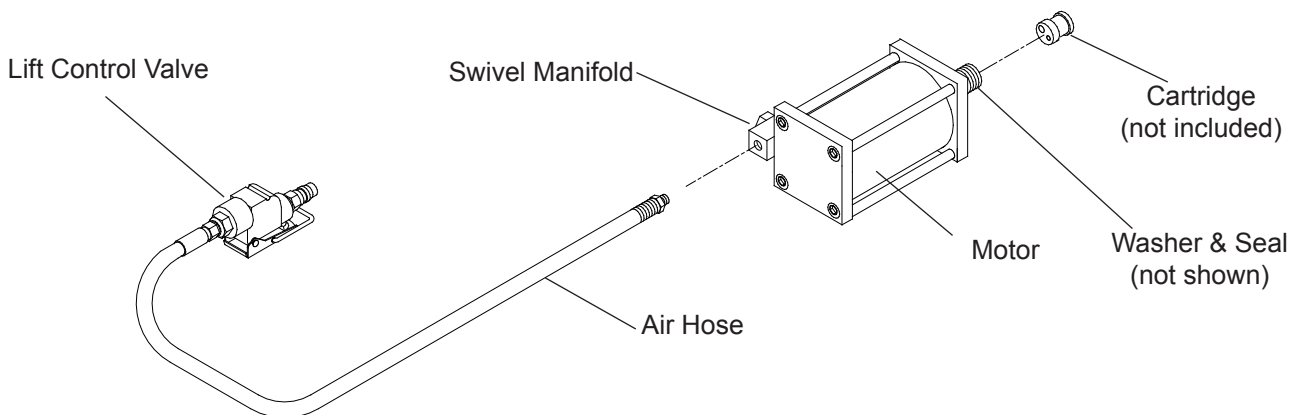


Figure 1 - Model Atd7399 Nomenclature

INSTALLATION

1. If this is a new installation, you must first remove the air motor plug. When doing this, position the jack to allow easiest access to the motor connection. Remove threaded plug, save for future use.

Note. Hydraulic cartridge is found in the above cavity, do not remove. Ensure that cartridge is positioned as illustrated.

2. Ensure that the motor connection seal and washer is in place on drive end housing of motor, then carefully thread the air motor assy clockwise until handtight. Use 27mm open end wrench, tighten to 105 ft-lbs.

If you are replacing an ATD Tools air motor, simply remove the old unit and install in the same manner as described above

MAINTENANCE

Periodically in-line lubrication using a good quality air tool lubricant. When used daily, pour a teaspoon of proper lubricant into the air inlet of the lift control valve. Connect valve to air supply and squeeze valve lever to operate. This will evenly distribute lubricant and properly prepare the hydraulic power unit for use. Periodically check for leaks at air connections. Use thread compound to repair. Avoid the use of thread tape when possible.

REPLACEMENT PARTS

(refer to page 4)

Not all components of the air motor are replacement items, but are illustrated as a convenient reference of parts location. When ordering parts, give model number and parts description. Call or write for current pricing: Atd Tools Inc. 160 Enterprise Drive, Wentzville, MO 63385. Tel:(636)327-9050 Fax:(636)327-9044

ONE YEAR LIMITED WARRANTY

For a period of one (1) year from date of purchase, **ATD Tools Inc.** will repair or replace, at its option, without charge, any of its products which fails due to a defect in material or workmanship under normal usage. This limited warranty is a consumer's exclusive remedy.

Performance of any obligation under this warranty may be obtained by returning the warranted product, freight prepaid, to **ATD Tools Inc.** Warranty Service Department, 160 Enterprise Drive, Wentzville, MO 63385.

Except where such limitations and exclusions are specifically prohibited by applicable law, (1) THE CONSUMER'S SOLE AND EXCLUSIVE REMEDY SHALL BE THE REPAIR OR REPLACEMENT OF DEFECTIVE PRODUCTS AS DESCRIBED ABOVE. (2) **ATD Tools Inc.** SHALL NOT BE LIABLE FOR ANY CONSEQUENTIAL OR INCIDENTAL DAMAGE OR LOSS WHATSOEVER. (3) ANY IMPLIED WARRANTIES, INCLUDING WITHOUT LIMITATION THE IMPLIED WARRANTIES OF MERCHANTABILITY AND FITNESS FOR A PARTICULAR PURPOSE, SHALL BE LIMITED TO ONE YEAR, OTHERWISE THE REPAIR, REPLACEMENT OR REFUND AS PROVIDED UNDER THIS EXPRESS LIMITED WARRANTY IS THE EXCLUSIVE REMEDY OF THE CONSUMER, AND IS PROVIDED IN LIEU OF ALL OTHER WARRANTIES, EXPRESS OR IMPLIED. (4) ANY MODIFICATION, ALTERATION, ABUSE, UNAUTHORIZED SERVICE OR ORNAMENTAL DESIGN VOIDS THIS WARRANTY AND IS NOT COVERED BY THIS WARRANTY.

Some states do not allow limitations on how long an implied warranty lasts, so the above limitation may not apply to you. Some states do not allow the exclusion or limitation of incidental or consequential damages, so the above limitation or exclusion may not apply to you. This warranty gives you specific legal rights, and you may also have other rights which vary from state to state.

