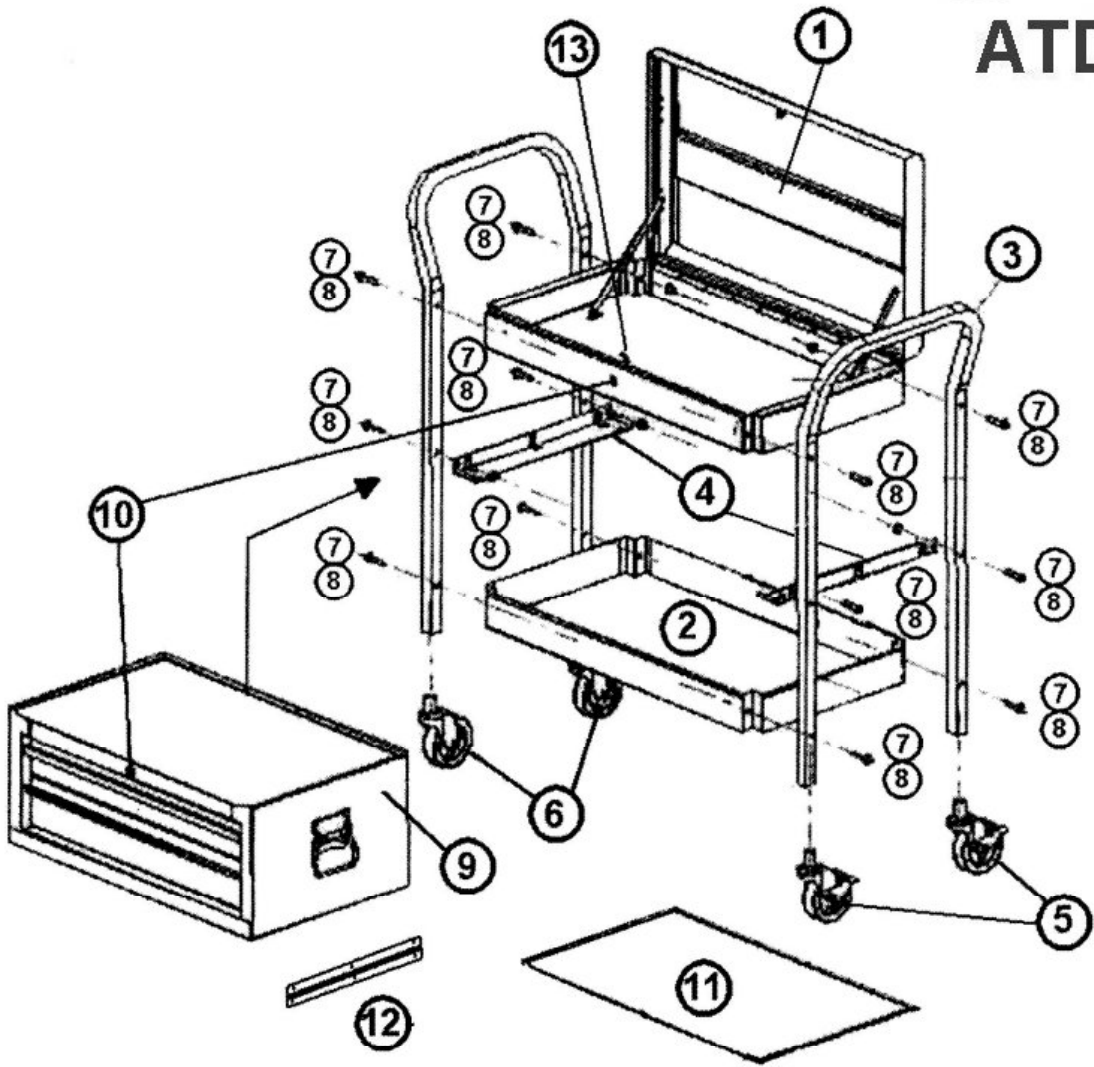


ATD-7034



ORDERING PART#	ITEM#	PART DESCRIPTION
PRT7034-01N	1	UPPER PANEL SET (PART# IDENTIFIES COLOR)
PRT7034-02N	2	BOTTOM PAN (PART# IDENTIFIES COLOR)
PRT7033-03N	3	TUBULAR FRAME
PRT7034-04N	4	FRAME (PART# IDENTIFIES COLOR)
PRT7033-05N	5	CASTERS W/BRAKE (EACH)
PRT7033-06N	6	CASTERS W/O BRAKE (EACH)
PRT7033-H	7	HARDWARE KIT (16 BOLTS & 16 NUTS)
	8	
PRT7034-09N	9	2 DRAWER UNIT (PART# IDENTIFIES COLOR)
PRT7033-10N	10	LOCK WITH KEY (SET OF TWO)
PRT7033-12N	12	DRAWER RAIL COMPLETE (SET OF TWO)
PRT7033-13N	13	LATCH FOR LOCK