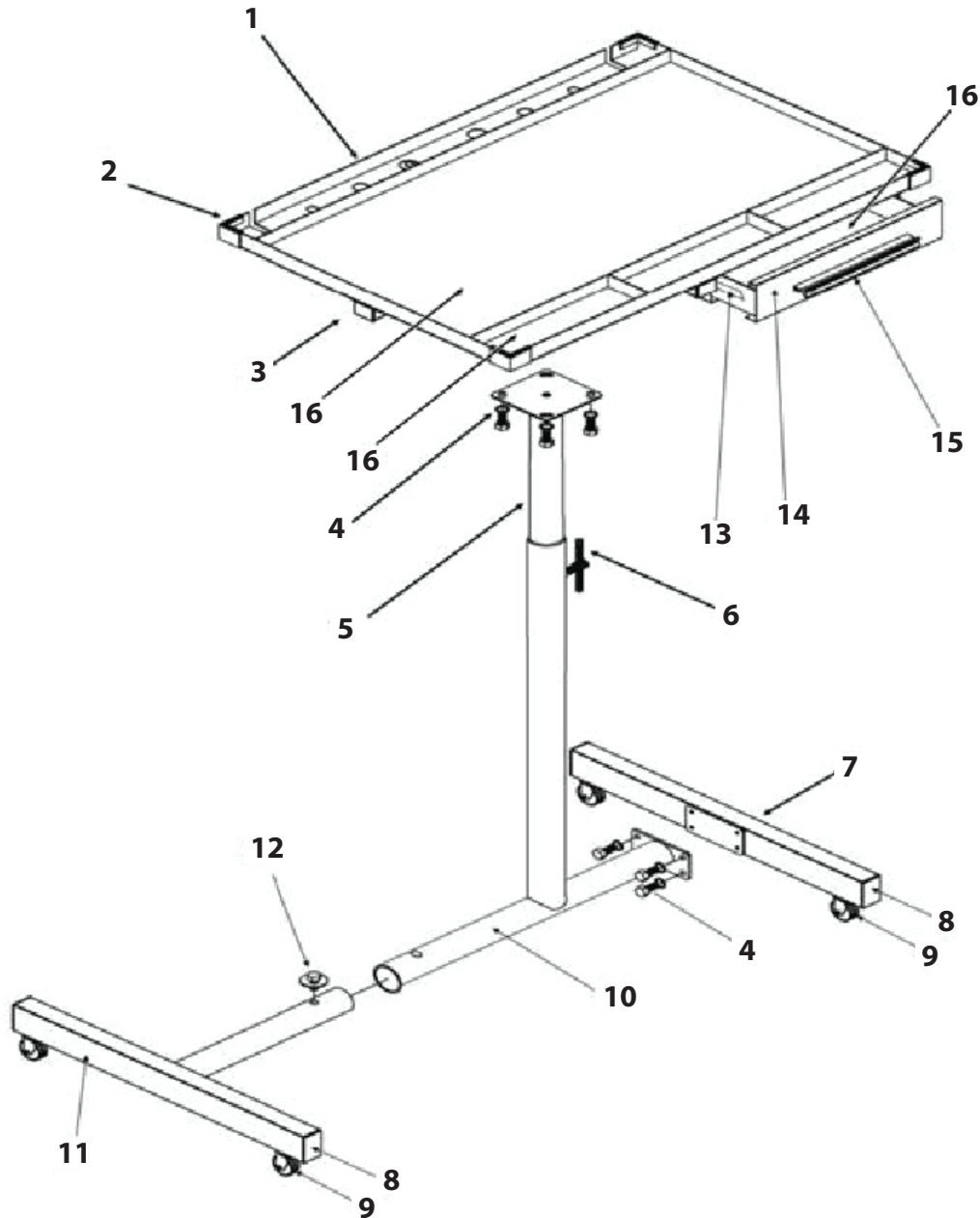




ATD-7012



ITEM#	ORDERING PART#	PART DESCRIPTION
1	PRT7012-01	TOP TRAY WITH RUBBER LINER
2	PRT7012-02	RUBBER CORNER BUMPER W/PINS (4PCS)
3	PRT7012-03	SMALL PLASTIC INSERT (3PCS)
4	PRT7012-H	HARDWARE KIT*
5	PRT7012-05	ADJUSTABLE TUBE (SILVER)
6	PRT7012-06	T-BOLT
7	PRT7012-07	RIGHT SUPPORT
8	PRT7012-08	LARGE PLASTIC INSERT (4PCS)
9	PRT7012-09	2" CASTER WITH NUT (4PCS)

ITEM#	ORDERING PART#	PART DESCRIPTION
8	PRT7012-08	LARGE PLASTIC INSERT (4PCS)
9	PRT7012-09	2" CASTER WITH NUT (4PCS)
10	PRT7012-10	TUBE SUPPORT
11	PRT7012-11	LEFT SUPPORT
12	PRT7012-H	HARDWARE KIT*
13	PRT7012-13	BALL BEARING SLIDE (PAIR)
14	PRT7012-14	DRAWER UNIT(WITH EVA PAD)
15	PRT7012-15	ALUMINUM HANDLE
16	PRT7012-16	PAD SET (5PCS)

* HARDWARE KIT INCLUDES #4 & #12 - 14MM BOLT WITH WASHER (8PCS) & 17MM BOLT W/CURVED WASHER