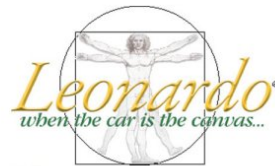
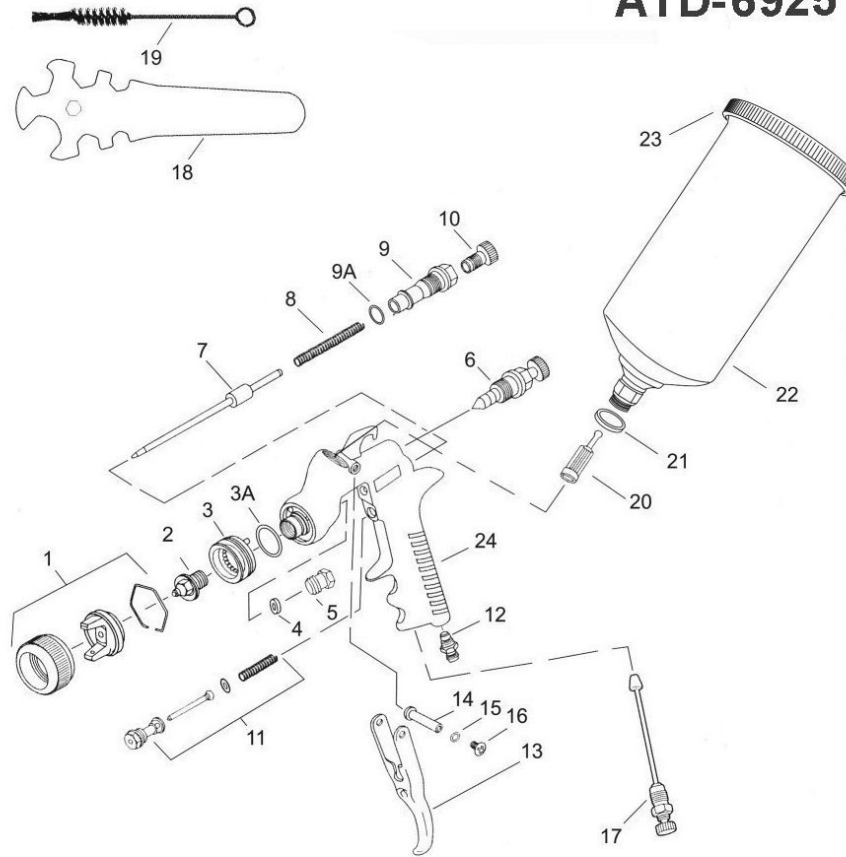


ATD-6925

HVLP GRAVITY FEED SPRAY GUN



ATD-6925



Technical Data:

Suggested inlet pressure: 2 bar (29 psi)

Air consumption: 12 SCFM at 29 psi

Air Cap Pressure < 10 psi

Sound Rating: < 70 dBA

Weight: 1.10 lbs (500 grams) for gun only

Spray gun distance to object: 8"-12"

While you may require different paint viscosities according to the characteristics of the paint, we recommend that you use Ford#4 viscosity cup at 15-23 seconds for best results.

See the complete Leonardo HVLP lineup:

ATD-6913

1.3mm Nozzle

ATD-6914

1.4mm Nozzle

ATD-6915

1.5mm Nozzle

ATD-6918

1.8mm Nozzle

ATD-69200

2.0mm Nozzle

ATD-6925

1.3, 1.4 & 1.5mm Nozzles

ORDERING PART#	ITEM#	PART DESCRIPTION	ORDERING PART#	ITEM#	PART DESCRIPTION
PRT6925-01	01	AIR CAP ASSY	PRT6925-12	12	AIR INLET CONNECTOR
PRT6925-1.3	02	FLUID NOZZLE, 1.3mm	PRT6925-13-16	13-16	TRIGGER ASSY
PRT6925-1.4	02	FLUID NOZZLE, 1.4mm	PRT6925-17	17	AIR ADJUST VALVE SET
PRT6925-1.5	02	FLUID NOZZLE, 1.5mm	PRT6925-TK	18-19	SPANNER & BRUSH
PRT6925-03	03	BAFFLE	PRT6925-20	20	FILTER, STAINLESS
PRT6925-03A	03A	BAFFLE PACKING	PRT6925-21	21	CUP PACKING
PRT6925-04-05	04-05	NEEDLE PACKING & NUT	PRT6925-22-23	22-23	1000cc ALUMINUM CUP W/LID
PRT6925-06	06	SPREADER VALVE	PRT6925-23	23	CUP LID
PRT6925-07	07	NEEDLE	PRT6925-24	24	GUN BODY
PRT6925-08-10	08-10	NEEDLE ADJUSTING ASSY	PRT6925-RK		REPAIR KIT (ALL SEALS AND SPRINGS)
PRT6925-11	11	AIR VALVE ASSY			

Visit us at www.atdtools.com

WARNING - FOLLOW THESE RULES FOR SAFE OPERATION!



- During cleaning and flushing, solvents can be forcefully expelled from fluid and air passages. Some solvents can cause eye injury.
- Be sure all others in the area are wearing impact resistant eye and face protection.
- Even small projectiles can injure eyes and cause blindness.



- Air under pressure can cause severe injury. Always shut off air supply, drain hose of air pressure and disconnect tool from air supply when not in use, before changing accessories or when making repairs. Never direct air at yourself or anyone else. Whipping hoses can cause serious injury. Always check for damaged or loose hoses and fittings. Never use quick change couplings at tool. They add weight and could fail due to vibration. Instead, add a hose whip and connect coupling between air supply, and hose whip, or between hose whip and leader hose. Do not exceed maximum air pressure of 63 PSI.

- Always use tool a safe distance from other people in work area.

- Maintain tools with care Keep tools clean and oiled for best and safest performance. Follow instructions for lubricating and changing accessories. Wiping or cleaning rags and other flammable waste materials must be placed in a tightly closed metal container and disposed of later in the proper fashion.

- Do not wear loose or ill-fitting clothing, remove watches and rings.



- Don't over reach. Keep proper footing and balance at all times. Slipping, Tripping and Falling can be a major cause of serious injury or death. Be aware of excess hose left on the walking or work surface.

- Don't force tool. It will do the job better and safer at the rate for which it was designed.

- Don't abuse hoses or connectors. Never carry tool by the hose or yank it to disconnect from power supply. Keep hoses from heat, oil and sharp edges. Check hoses for weak or worn condition before each use, making certain that all connections are secure.



- High sound levels can cause permanent hearing loss. Protect yourself from noise. Noise levels vary with work surface. Wear ear protectors.
- When possible, secure work with clamps or vise so both hands are free to operate tool.

- Repetitive work motions, awkward positions and exposure to vibration can be harmful to hands and arms.

- Avoid inhaling dust or handling debris from work processes which can be harmful to your health.

- This tool is not intended for use in explosive atmospheres and is not insulated for contact with electric power sources.

- Solvent and coatings can be highly flammable or combustible especially when sprayed. Adequate exhaust must be provided to keep air free of accumulations of flammable vapors.

- Smoking must never be allowed in the spray area.

- Fire extinguishing equipment must be present in the spray area.

- Never spray near sources of ignition such as pilot lights, welders, etc.



- Halogenated hydrocarbon solvents - for example; methylene chloride, are not chemically compatible with the aluminum that might be used in many system components. The chemical reaction caused by these solvents reacting with aluminum can become violent and lead to an equipment explosion. Guns with stainless steel fluid passages may be used with these solvents. However, aluminum is widely used in other spray application equipment - such as material pumps, cups and regulators, valves, etc. Check all other equipment items before use and make sure they can also be used safely with these solvents. Read the label or data sheet for the material you intend to spray. If in doubt as to whether or not a coating or cleaning material is compatible, contact your material supplier.



- Sprayed materials may be harmful if inhaled, or if there is contact with the skin. Adequate exhaust must be provided to keep the air free of accumulations of toxic materials. Use a mask or respirator whenever there is a chance of inhaling sprayed materials. The mask must be compatible with the material being sprayed and its concentration.

TROUBLESHOOTING

SPRAY PATTERN/ CONDITION	PROBLEM	SOLUTION
	One side of nozzle wing is clogged.	Soak nozzle in solvent to loosen clog, then blow air through until clean. To clean orifices use a broom straw or toothpick. Never try and detach dried material with sharp tool.
	A.) Loose air nozzle. B.) Material around outside of air nozzle has dried.	A.) Tighten air nozzle . B.) Take off air nozzle and wipe off fluid tip, using rag moistened with thinner.
	A.) Atomization air pressure is set too high. B.) Trying to spray a thin material in too wide a pattern.	A.) Reduce air pressure. B.) Increase material control by turning fluid control screw to left, while reducing spray width by turning spray width adjustment screw to right.
	A.) Packing around needle valve is dried out. B.) Fluid nozzle loosely installed, or dirt between nozzle and body. C.) Loose or defective swivel nut on siphon cup.	A.) Back up knurled nut , put a few drops of machine oil on packing, re-tighten nut. B.) Take off fluid nozzle, clean rear of nozzle and seat in gun body. Replace nozzle and bring in tight to body. C.) Tighten or change out swivel nut.
Improper spray pattern.	A.) Gun improperly adjusted. B.) Dirty air cap. C.) Fluid tip obstructed. D.) Sluggish Needle.	A.) Readjust gun. Follow instructions carefully. B.) Clean air cap. C.) Clean. D.) Lubricate.
Unable to get round spray.	Fan adjustment screw not seating properly.	Clean or replace.
Will not spray.	A.) No air pressure at gun. B.) Fluid pressure too low with internal mix cap and pressure tank. C.) Fluid control screw not open enough. D.) Fluid too heavy for suction feed.	A.) Check air supply and air lines. B.) Increase fluid pressure at tank. C.) Open fluid control screw. D.) Thin material or change to pressure feed.
Fluid leakage from packing nut.	A.) Packing nut loose. B.) Packing worn or dry.	A.) Tighten, but not so tight as to grip needle. B.) Replace packing or lubricate.
Dripping from fluid tip.	A.) Dry packing. B.) Sluggish needle. C.) Tight packing nut. D.) Worn fluid nozzle or needle.	A.) Lubricate. B.) Lubricate. C.) Adjust. D.) For pressure feed, replace with new fluid nozzle and needle.
Thin, sandy coarse finish.	A.) Gun held too far from surface. B.) Atomization pressure set too high.	A.) Move gun closer to surface. B.) Adjust atomization pressure.
Thick, dimpled finish resembling orange peel.	Gun held too close to surface.	Move gun further from surface.