



ATD-5842

1/4" HEAVY DUTY HAND RIVETER

IMPORTANT SAFETY INSTRUCTIONS

1. Read all instructions before using this unit.
2. Always wear ANSI approved safety goggles when using this product.
3. Normal use of this product is likely to expose the user to dust and/or microscopic particles containing chemicals known to the State of California to cause cancer, birth defects or other reproductive harm
4. Always wear appropriate safety equipment and clothing when using this product. Study, understand, and follow all instructions provided with this product.

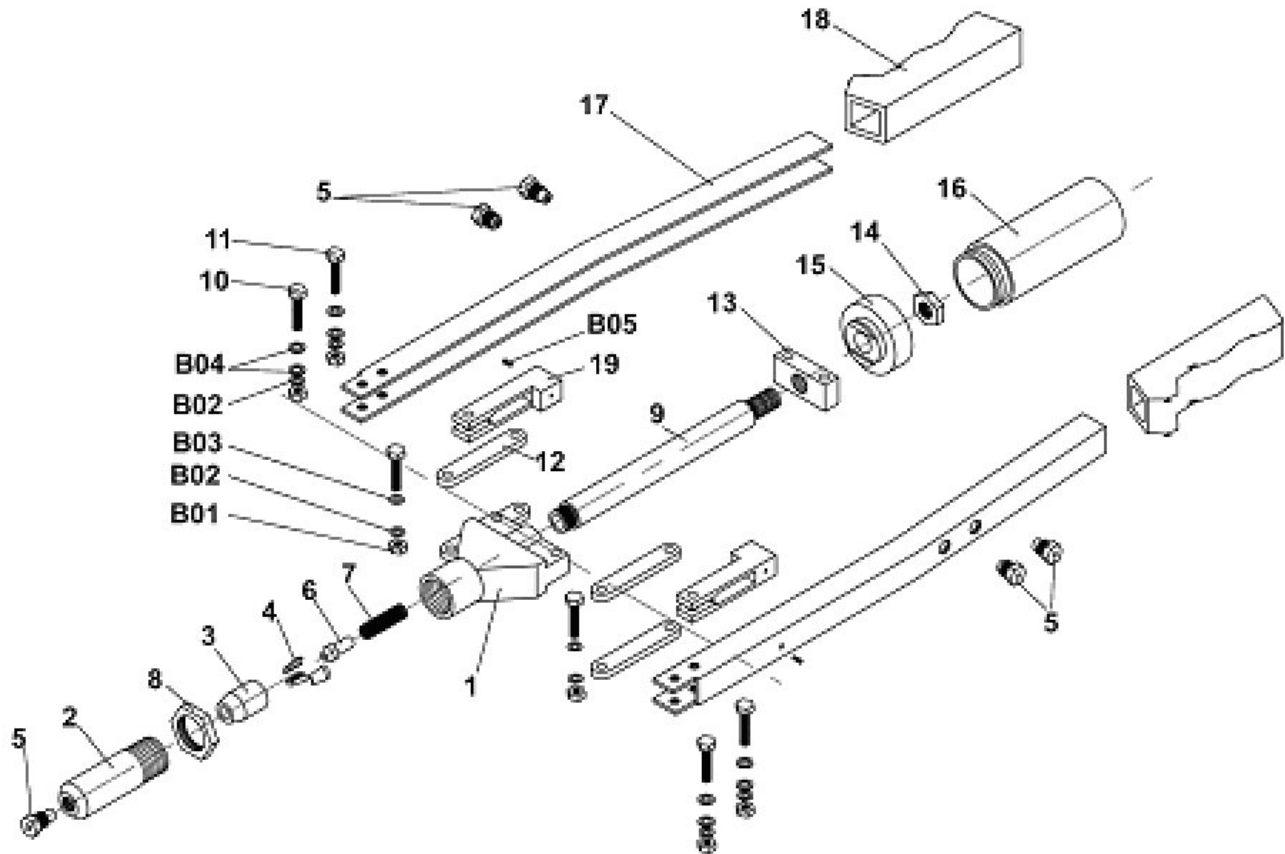
Warning: Wear safety glasses.

INSTRUCTIONS FOR USE:

1. Open tool handle fully and insert rivet mandrel all the way into tool nosepiece then insert rivet head completely into the prepared hole.
2. Squeeze tool handle until rivet mandrel breaks off. If more than one squeeze is required, open tool handle fully and squeeze again.
3. Finally, open tool handle fully to eject rivet mandrel from tool.



ATD-5842



ORDERING PART#	ITEM#	PART DESCRIPTION
PRT5842-01	1	BODY
PRT5842-02	2	LINKER
PRT5842-03	3	JAW CARRIER
PRT5842-04	4	JAW
PRT5842-05	5	NOSEPIECE
PRT5842-06	6	PUSHER
PRT5842-07	7	SPRING
PRT5842-08	8	LOCK NUT
PRT5842-09	9	POLLING RODE
PRT5842-HK	10	SHORT BOLT
PRT5842-HK	11	LONG BOLT
PRT5842-12	12	LINK
PRT5842-13	13	POLLING RODE BASE
PRT5842-14	14	NUT
PRT5842-15	15	LID
PRT5842-16	16	BOTTLE
PRT5842-17	17	HANDLE
PRT5842-18	18	PLASTIC GRIP
PRT5842-19	19	CUSHION
PRT5842-HK	B01	LOCK NUT
PRT5842-HK	B02	WASHER(5×0.8)
PRT5842-HK	B03	WASHER(6×0.6)
PRT5842-HK	B04	COPPER WASHER
PRT5842-HK	B05	BOLT