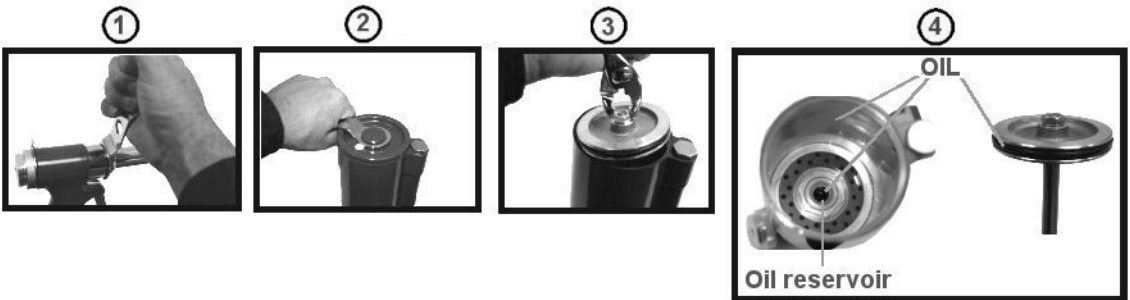


Maintenance and Oiling Of Your ATD Air Riveter

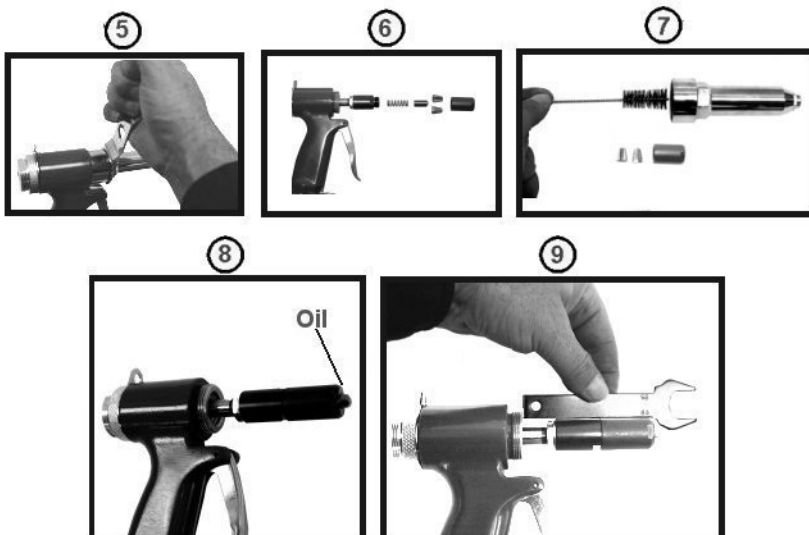
ATD-5841

1. Turn off and disconnect air supply
2. Use the spanner wrench to take apart the head (fig. 1)
3. Use the spanner wrench to open the bottom cover (fig. 2)
4. Use pliers to gently remove the cylinder piston (fig. 3)
5. Clean the inside of the body, the piston stem and piston
6. Coat inside of cylinder and piston ring and fill oil reservoir with air tool oil (fig. 4)
7. Put piston stem back into oil reservoir, tighten bottom cover
8. Use the spanner wrench to tighten the head on to the gun



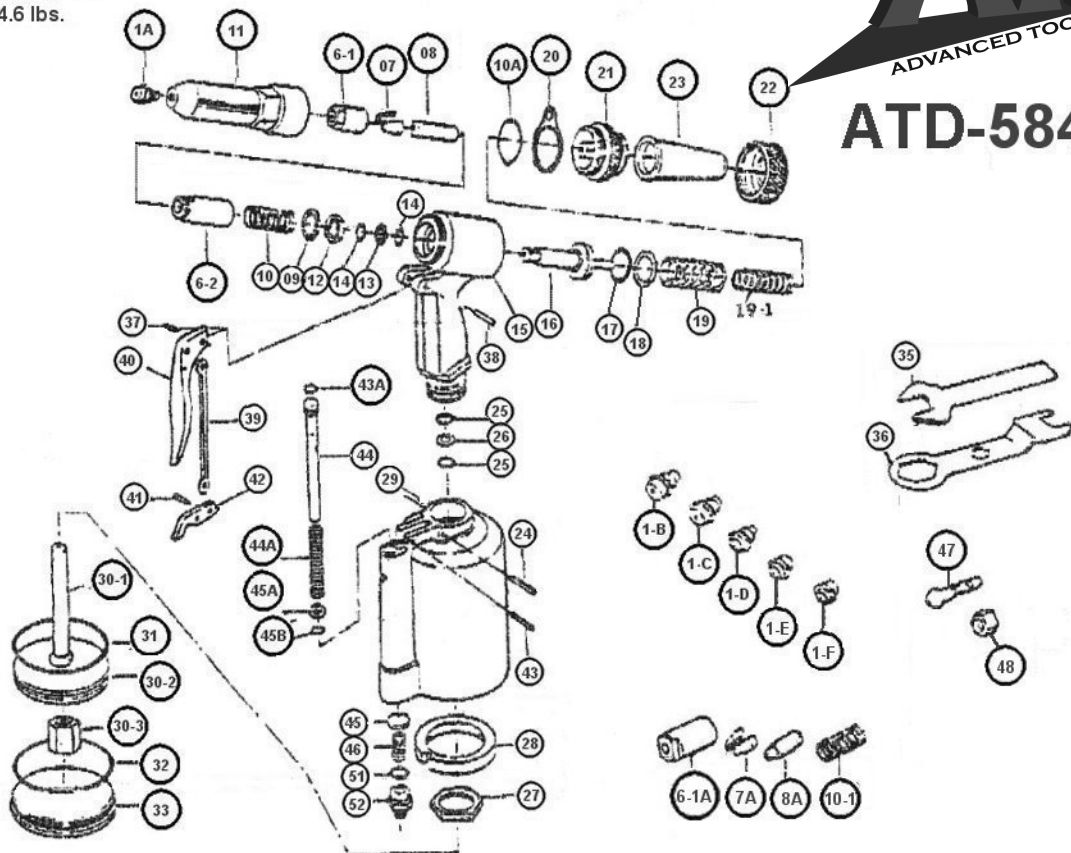
Cleaning and Maintenance Of Air Riveter Head

1. Turn off and disconnect air supply
2. Use spanner wrench to take apart head (fig. 5)
3. Disassemble jaws, jaw case, jaw pusher & spring (fig. 6)
4. Clean all parts with small brush (not included) (fig. 7)
5. Oil end of jaw case and jaws (fig. 8)
6. Reassemble jaw assembly in reverse order
7. Check the length of jaw case assembly with spanner gauge



SPECIFICATIONS:
 Capacity: 3/32", 1/8", 5/32", 3/16", 7/32", 1/4"
 Air Pressure: 60-90 PSI
 Average Air Consumption: 4 CFM
 Air Inlet: 1/4" NPT
 Hose Size: 3/8" I.D.
 Weight: 4.6 lbs.

ATD
 ADVANCED TOOL DESIGN
ATD-5841



ORDERING PART#	ITEM#	PART DESCRIPTION
PRT5841-1	1A	1/4" NOSE
PRT5841-2	1B	7/32" NOSE
PRT5841-3	1C	3/16" NOSE
PRT5841-4	1D	5/32" NOSE
PRT5841-5	1E	1/8" NOSE
PRT5841-6	1F	3/32" NOSE
PRT5841-6-1	06-1	JAW CASE FRONT TART (1/4, 7/32, 3/16)
PRT5841-6-1A	06-1A	JAW CASE FRONT TART (5/32, 1/8, 3/32)
PRT5841-6-2	06-2	JAW CASE END TART
PRT5841-7	07	JAW FOR 1/4, 7/32, 3/16 & 12MM
PRT5841-7A	07A	JAW FOR 5/32, 1/8, 3/32 & 8MM
PRT5841-8	08	JAW PUSHER FOR 1/4, 7/32, 3/16
PRT5841-8A	08A	JAW PUSHER FOR 5/32, 1/8, 3/32
PRT5840-9	09	CASE WASHER RING
PRT5841-10	10	JAW PUSHER SPRING FOR 1/4, 7/32, 3/16
PRT5841-10-1	10-1	JAW PUSHER SPRING FOR 5/32, 1/8, 3/32
PRT5841-10A	10A	FRAME CAP O-RING
PRT5841-11	11	FRAME HEAD
PRT5840-12	12	CASE LOCK NUT
PRT5840-13	13	BACK UP RING
PRT5840-14	14	BACK UP O-RING
PRT5841-15	15	FRAME
PRT5841-16	16	OIL PISTON
PRT5841-17	17	OIL PISTON O-RING
PRT5841-18	18	BACK UP RING
PRT5841-19	19	RETURN SPRING LARGE
PRT5841-19-1	19-1	RETURN SPRING SMALL
PRT5841-20	20	HANGING CLIP
PRT5841-21	21	FRAME CAP
PRT5841-22	22	FRAME CAP NUT
PRT5841-23	23	RUBBER CUSHION
PRT5841-24	24	SETTING SCREW PIN

ORDERING PART#	ITEM#	PART DESCRIPTION
PRT5840-25	25	BACK UP O-RING
PRT5840-26	26	BACK UP RING
PRT5840-27	27	FRAME LOCK NUT
PRT5840-28	28	RUBBER CUSHION
PRT5841-29	29	AIR CYLINDER (Ø1 x 128.5 mm)
PRT5841-30-1	30-1	AIR PISTON STEM (16 x 130 mm)
PRT5841-30-2	30-2	AIR PISTON
PRT5841-30-3	30-3	AIR PISTON LOCK NUT
PRT5841-31	31	AIR PISTON O-RING
PRT5841-32	32	CYLINDER O-RING
PRT5841-33	33	CYLINDER CAP
PRT5841-35	35	SPANNER GAUGE
PRT5841-36	36	SPANNER
PRT5841-37	37	TRIGGER PIN
PRT5841-38	38	CONNECTOR (3 x 22 mm)
PRT5841-39	39	TRIGGER ROD
PRT5841-40	40	TRIGGER
PRT5841-41	41	CONNECTOR
PRT5841-42	42	TRIGGER LEVER
PRT5841-43	43	LEVER PIN (3 x 18 mm)
PRT5841-43A	43A	VALVE PUSHER O-RING
PRT5841-44	44	VALVE PUSHER (12 x 99mm)
PRT5841-44A	44A	VALVE SPRING
PRT5841-45	45	VALVE
PRT5841-45A	45A	VALVE COLLAR
PRT5840-45B	45B	COLLAR O-RING
PRT5841-46	46	VALVE SPRING BOTTOM
PRT5841-47-48	47 & 48	INLET BUSHING WITH NUT
PRT5840-51	51	VALVE CAP O-RING
PRT5840-52	52	VALVE CAP