



ATD-3736

DUAL TEMPERATURE HEAT GUN KIT

Operation and Safety Instructions



CAUTION:

Carefully read through this entire operator's manual before using your tool.

Pay close attention to the Rules for safety operation, warnings, and cautions. If you use your tool properly and only for what it is intended for, you will enjoy years of safe, reliable service.

SAVE THIS MANUAL FOR FUTURE REFERENCE

Table of contents

Section	Page
○ Technical Data-----	2
○ General safety rules-----	3
○ Specific safety rules for the heat gun-----	5
○ Electrical information-----	8
○ Know your heat gun-----	10
○ Assembly-----	11
○ Operation-----	12
○ Maintenance-----	14
○ Replacement parts-----	15

I. Technical data

DUAL TEMPERATURE HEAT GUN KIT

HEAT GUN MODEL NUMBER: ATD-3735

POWER SOURCE: 120 V AC, 60HZ, 8/12.5A

WATTS: 1000 LOW/1500 HIGH

TWO HEAT SETTING: HIGH (923°F / 495°C)

LOW (707°F / 375°C)

CORE: 6' (186cm), 2-Prong Polarized Plug

NET WEIGHT: 1 lb (0.73kg)

Package contents:

- **1 Heat gun**
- **4 nozzles outlets**
- **1 instruction manual**
- **1 blow molded case**

II. General safety rules

Safety is a combination of common sense, staying alert and knowing how to use your heat gun.

WARNING: TO AVOID MISTAKES THAT COULD CAUSE SERIOUS INJURY, DO NOT PLUG IN THE HEAT GUN UNTIL THE FOLLOWING STEPS HAVE BEEN READ AND UNDERSTOOD.

1. READ and become familiar with this entire instruction manual. LEARN the tool's applications, limitations, and possible hazards.
2. AVOID DANGEROUS CONDITIONS. DO NOT use power tools in wet or damp areas or expose them to rain. Keep work areas well-lit.
3. DO NOT use power tools in the presence of flammable liquids or gases.
4. ALWAYS keep your work area clean, uncluttered, and well-lit. DO NOT work on floor surfaces that are slippery.
5. KEEP BYSTANDERS AT A SAFE DISTANCE FROM the work area, especially when the tool is operating. NEVER allow children near the tool.
6. DO NOT FORCE THE TOOL to do a job for which it was not designed.
7. DRESS FOR SAFETY. DO NOT wear loose clothing, gloves, neckties, or jewellery (rings, watches) when operating tool. They can get caught and draw you into moving parts. ALWAYS wear non-slip footwear, and tie back long hair.
8. WEAR A DUST RESPIRATOR DURING OPERATION.
9. ALWAYS remove the power cord plug from the electric outlet when making adjustments, changing parts, cleaning or working on the tool.
10. AVOID ACCIDENTAL START-UPS. Make sure the power switch is in the OFF position before plugging in the power cord.
11. REMOVE ADJUSTING TOOLS. ALWAYS MAKE SURE all tools are removed from the heat gun before turning it on.
12. NEVER LEAVE A RUNNING TOOL UNATTENDED. Turn the power switch to OFF.

SAVE THESE SAFETY INSTRUCTIONS

II. General safety rules - continued

13. **DON'T OVERREACH.** Keep proper footing and balance at all times. Wear oil-resistant, rubber-soled footwear. Keep floor clear of oil, scrap, and other debris.
14. **MAINTAIN TOOLS PROPERLY.** ALWAYS keep tools clean and in good working order. Follow instructions for lubricating and changing accessories.
15. **CHECK FOR DAMAGED PARTS.** Check for alignment of moving parts, jamming, breakage, or any other conditions that may affect the tool's operation. Any part that is damaged should be properly repaired or replaced before use.
16. **MAKE WORKSHOP CHILDPROOF.** Use padlocks, master switches, and ALWAYS remove starter keys.
17. **DO NOT** operate tool if you are under the influence of any drugs, alcohol or medication that could affect your ability to use the tool properly.
18. Take extreme care when stripping paint. The peelings, residue and vapours of paint may contain lead, which is poisonous. To reduce your exposure to these chemicals: work in a well-ventilated area, and work with approved safety equipment, such as those dust masks that are specially designed to filter out microscopic particles.



ALWAYS WEAR EYE PROTECTION.

A heat gun can throw foreign objects into your eyes which could cause permanent eye damage.

ALWAYS wear safety goggles (not glasses). Ordinary eyeglasses have only impact resistant lenses...they are NOT safety goggles.

SAVE THESE SAFETY INSTRUCTIONS

III. Specific safety rules for the heat gun

1. **WEAR GLOVES AND EYE PROTECTION.** The heat gun nozzle becomes extremely hot during use.
2. **NEVER** use heat gun as a hair dryer.
3. **NEVER** direct the hot airflow toward people or animals.
4. **NEVER** use the heat gun near flammable materials or gases.
5. **NEVER** obstruct the hot airflow by blocking or covering the air outlet.
6. **NEVER** touch the nozzle to any surface when operating the heat gun or immediately after using the heat gun. Wait until the nozzle has cooled.
7. **KEEP** heat gun handle dry, clean and free from oil and grease.
8. **DO NOT** force the heat gun to perform any task that it's not designed to do.
9. **ALWAYS** place the heat gun in an upright position or hang from its hanger.
10. **NEVER** use the heat gun in wet environments or areas of high humidity, such as in a bathroom or steamroom.
11. **NEVER** insert anything inside the nozzle of the heat gun.
12. **ALWAYS** store the heat gun in a safe place, out of the reach of children.
13. **KNOW THE WORK AREA.** Areas behind ceilings, floors and soffits can contain highly flammable material. Always check these areas before applying heat.
14. **GUARD** against electric shock by preventing contact with grounded surfaces, such as pipes, radiators, ranges, refrigerators.
15. **SECURE** small or irregular shaped objects in a vise when applying heat.

SAVE THESE SAFETY INSTRUCTIONS

III. Specific safety rules for the heat gun - continued

WHEN REMOVING PAINT OR VARNISH

WARNING: EXTREME CARE MUST BE TAKEN WHEN STRIPPING PAINT. THE PAINT PEELINGS, PAINT RESIDUE AND PAINT VAPOURS MAY CONTAIN LEAD, WHICH IS POISONOUS. ANY PRE-1977 PAINT MAY CONTAIN LEAD AND PAINT APPLIED TO HOMES PRIOR TO 1950 IS LIKELY TO CONTAIN LEAD. ONCE APPLIED ON SURFACES, HAND-TO-MOUTH CONTACT CAN RESULT IN THE INGESTION OF LEAD. EXPOSURE TO EVEN LOW LEVELS OF LEAD CAN CAUSE IRREVERSIBLE BRAIN AND NERVOUS SYSTEM DAMAGE; YOUNG AND UNBORN CHILDREN ARE PARTICULARLY VULNERABLE.

Before beginning any paint removal process, you should determine whether the paint you are removing contains lead. This can be done by your local health department or by a professional who uses a paint analyzer to check the lead content. Lead-based paint should only be removed by a professional. DO NOT remove paint using a heat gun.

Persons removing paint should follow these guidelines:

1. **MOVE THE WORKPIECE OUTDOORS.** If this is not possible, keep the work area well-ventilated. Open the windows and put an exhaust fan in one window. Make sure the fan is moving the air from inside to outside.
2. **REMOVE OR COVER** carpet, rugs, furniture, clothing, cooking utensils and air ducts.
3. **PLACE DROP CLOTHS IN THE WORK AREA** to catch paint chips or peelings. Wear protective clothing such as extra work shirts, overalls and hats.
4. **WORK IN ONE ROOM AT A TIME.** Furnishings should be removed or placed in the centre of the room, covered. Work areas should be sealed off from the rest of the dwelling by sealing doorways with drop cloths.
5. **CHILDREN, PREGNANT OR POTENTIALLY PREGNANT WOMEN AND NURSING MOTHERS SHOULD NOT BE PRESENT** in the work area until the work is finished and all cleanup is complete.

SAVE THESE SAFETY INSTRUCTIONS

III. Specific safety rules for the heat gun - continued

6. WEAR A DUST RESPIRATOR OR A DUAL FILTER (DUST AND FUME) RESPIRATOR WHICH HAS BEEN APPROVED BY THE OCCUPATIONAL SAFETY AND HEALTH ADMINISTRATION (OSHA). Make sure the mask fits; beards and facial hair may keep masks from sealing properly. Change filters often. **DISPOSABLE PAPER MASKS ARE NOT ADEQUATE.**
7. USE CAUTION WHEN OPERATING THE HEAT GUN. Keep the heat gun moving. Excessive heat will generate fumes that can be inhaled by the operator.
8. KEEP FOOD AND DRINK OUT OF THE WORK AREA. Wash hands, arms and face and rinse mouth before eating and drinking. Do not smoke or chew gum or tobacco in the work area.
9. CLEAN UP ALL REMOVED PAINT AND DUST BY WET MOPPING THE FLOORS. Use a wet cloth to clean all walls, sills and any other surface where paint or dust has settled. **DO NOT SWEEP, DRY DUST OR VACUUM.** Use a high phosphate detergent or trisodium phosphate (TSP) to wash and mop areas.
10. AT THE END OF EACH WORK SESSION, put the paint chips and debris in a double plastic bag. Seal the bag with tape or twist ties, and dispose of properly.
11. REMOVE PROTECTIVE CLOTHING AND WORK SHOES IN THE WORK AREA to avoid carrying dust into the rest of the dwelling. Wash work clothes separately. Wipe shoes off with a wet rag. Wash rag with the work clothes. Wash hair and body thoroughly with soap and water.

SAVE THESE SAFETY INSTRUCTIONS

IV. Electrical information

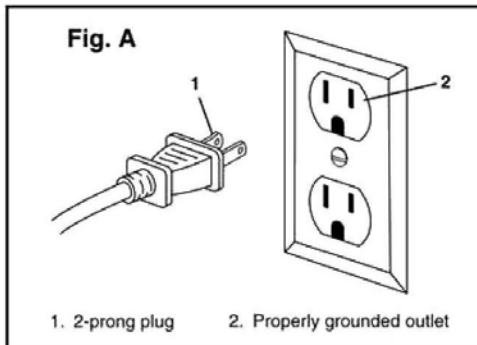
WARNING: TO AVOID ELECTRICAL HAZARDS, FIRE HAZARDS, OR DAMAGE TO THE TOOL, USE PROPER CIRCUIT PROTECTION. YOUR HEAT GUN IS WIRED AT THE FACTORY FOR 120 V OPERATION. CONNECT TO A 120 V, 5 A CIRCUIT AND USE A 15 A TIME DELAY FUSE CIRCUIT BREAKER. TO AVOID SHOCK OR FIRE, IF POWER CORD IS WORN, CUT, OR DAMAGED IN ANY WAY, HAVE IT REPLACED IMMEDIATELY.

DOUBLE INSULATED

This heat gun has a plug that looks like the one shown below:



The heat gun is double insulated to provide a double thickness of insulation between you and the tool's electrical system. All exposed metal parts are isolated from the internal metal motor components with protective insulation.



WARNING: TO AVOID INJURY, WHEN SERVICING THE HEAT GUN USE ONLY IDENTICAL REPLACEMENT PARTS.

WARNING: DOUBLE INSULATION DOES NOT TAKE THE PLACE OF NORMAL SAFETY PRECAUTIONS WHEN OPERATING THIS TOOL.

WARNING: TO AVOID ELECTROCUTION:

1. Use only identical replacement parts when servicing a tool with double insulation. Servicing should be performed by a qualified technician.
2. Do not use power tools in wet or damp areas or expose them to rain. This tool is intended for indoor use only.

GROUNDING INSTRUCTIONS

IN THE EVENT OF A MALFUNCTION OR BREAKDOWN, grounding provides the path of least resistance for electric current and reduces the risk of electric shock. This tool is equipped with an electric cord that has a POLARIZED plug. The plug MUST be plugged into a matching outlet that is properly installed and grounded in accordance with ALL local codes and ordinances.

DO NOT MODIFY THE PLUG PROVIDED. If it will not fit the outlet, have the proper outlet installed by a qualified electrician.

SAVE THESE SAFETY INSTRUCTIONS

IV. Electrical information - continued

CAUTION: IN ALL CASES, MAKE CERTAIN THE RECEPTACLE IN QUESTION IS PROPERLY GROUNDED. IF YOU ARE NOT SURE IF IT IS, HAVE A CERTIFIED ELECTRICIAN CHECK THE RECEPTACLE.

WARNING: THIS HEAT GUN IS FOR INDOOR USE ONLY. DO NOT EXPOSE TO RAIN OR USE IN DAMP LOCATIONS.

GUIDELINES FOR USING EXTENSION CORDS

USE THE PROPER EXTENSION CORD. Make sure your extension cord is in good condition. When using an extension cord, be sure to use one heavy enough to carry the current your product will draw. An undersized cord will cause overheating. The table below shows the correct size to use depending on cord length and nameplate ampere rating. If in doubt, use the next heavier gauge. The smaller the gauge number, the heavier the cord.

Minimum Gauge for Extension Cords (AWG)

(when using 120 V only)

Ampere Rating		Total Length of Cord in Feet (metres)			
More Than	Not More Than	25' (7.6 m)	50' (15 m)	100' (30.4 m)	150' (45.7 m)
0	6	18	16	16	14
6	10	18	16	14	12
10	12	16	16	14	12
12	16	14	12	Not Recommended	

Make sure your extension cord is properly wired and in good electrical condition. Always replace a damaged extension cord or have it repaired by a qualified person before using it. Protect your extension cords from sharp objects, excessive heat and damp or wet areas.

Use a separate electrical circuit for your tools. This circuit should not be less than a #12 wire and should be protected with a 15 A time delay fuse. Before connecting the motor to the power line, make sure the switch is in the OFF position and the electric current is rated the same as the current stamped on the motor nameplate. Running at a lower voltage will damage the motor.

WARNING: ALTHOUGH THIS TOOL IS DOUBLE INSULATED, THE EXTENSION CORD AND RECEPTACLE MUST STILL BE GROUNDED WHILE IN USE TO PROTECT THE OPERATOR FROM ELECTRICAL SHOCK.

SAVE THESE SAFETY INSTRUCTIONS

V. Know your heat gun



1. Cool air intake
2. Hanger
3. LOW/OFF/HIGH trigger switch
4. Heat guard
5. Nozzle

VI. Assembly

UNPACKING (Fig. 1)

Remove the heat gun from the carton. Separate from packing material and examine carefully.

Fig. 1



1. Heat Gun — for softening and removing paint/varnish, floor/wall tiles, thawing frozen pipes (not plastic), frozen door locks, padlocks, stripping paint from windows, softening old putty, and more.

ASSEMBLY INSTRUCTIONS

This heat gun is completely assembled for immediate use.

WARNING: IF ANY PART OF THE HEAT GUN IS MISSING OR DAMAGED, DO NOT PLUG IN THE POWER CORD UNTIL THE DAMAGED PART IS REPAIRED OR REPLACED.

WARNING: TO AVOID INJURY, ALWAYS TURN OFF THE SWITCH AND DISCONNECT THE POWER CORD FROM THE OUTLET BEFORE INSTALLING OR CHANGING ANY HEAT GUN ACCESSORIES.

VI. Assembly - continued

LOW/OFF/HIGH trigger switch (Fig. 2)

The trigger switch (1) allows for LOW (-) or HIGH (=) working temperature settings. Depending on the amount of heat required for an operation, choose the low setting which is roughly 707°F or the high setting which is roughly 923°F.

Always allow a minute or so for it to reach its full operating temperature.

When not using the heat gun, position the trigger switch in the OFF (0) position.



Four different outlet nozzles (Fig.3)

These 4 outlet nozzles make it easy for your series jobs.

CAUTION: NEVER CHANGE THE OUTLET IMMEDIATELY AFTER USING THE HEAT GUN. WAIT UNTIL THE OUTLET HAS COOLED.

VII. Operation

OPERATING INSTRUCTIONS

Paint and varnish removal

NOTE: The heat gun is designed to remove oil and latex based paints and varnish. It will not remove stains or primer coats that have impregnated the surface of wood.

CAUTION: LEAD BASED PAINT FUMES ARE VERY HARMFUL. ALWAYS PROVIDE ADEQUATE VENTILATION WHILE WORKING INDOORS.

Paint and varnish removal requires some practice and using simple working techniques. Always test your results on a small section of paint before moving on to larger areas.

Turn on the heat gun and allow it to reach full heating power. Hold the nozzle 3 to 4" (7.6 to 10.2 cm) from the paint to be removed. After a short time, the paint will soften and begin to blister. Do not overheat paint; this will cause burning and make the finish more difficult to remove. When stripping paint overhead, always use eye protection.

Begin scraping the paint off working from top to bottom. Use scrapers. Scrape with smooth, even strokes, warming the surface in front of the scraper by moving the heat gun slightly from side-to-side. If paint is warmed properly, even thick layers can be removed in a single pass. Paint should come off in a strip equal in width to the scraper blade.

Clean the edge of the scraper often to keep it clean and sharp, and to prevent paint buildup on the blade. Scrape the paint as soon as it softens; it will quickly harden again.

Cover all surfaces not to be heated with non-flammable material. Never concentrate tool's heat on a window panel other than glass.

VII. Operation - continued

Other jobs for the heat gun

Your heat gun can be used to:

1. Remove paint and varnish.
2. Remove self-adhesive stickers and trim.
3. Loosen rusted or overtightened nuts and metal screws.
4. Thaw frozen metal pipes, door locks, padlocks. **DO NOT attempt to thaw plastic pipes.**
5. Highlight the natural woodgrain of wooden surfaces before staining or varnishing.
6. Quickly dry paints and varnish. This is especially useful when colour matching is required by adding several coats of the paint or varnish.
7. Soften old putty before removal.
8. Dry out wet, damaged wood prior to filling with compound.
9. Shrink PVC shrink-wrap sheeting for package protection.
10. Wax and de-wax skis.
11. Shrink polyvinyl wire joints.

VIII. Maintenance

WARNING: ALWAYS TURN OFF THE HEAT GUN AND UNPLUG THE TOOL FROM THE OUTLET BEFORE MAINTAINING THE HEAT GUN.

GENERAL MAINTENANCE

Keep your heat gun clean and in good repair for maximum performance and machine longevity. Before each use inspect the tool, switch, and cord for damage. Check for damaged, missing, or worn parts. Check for loose screws, misalignment or binding of moving parts, or any other conditions that may affect the operation. If abnormal vibration or noise occurs, turn off the tool immediately and have the problem corrected before further use. Do not use the tool until properly repaired or replaced.

Cleaning

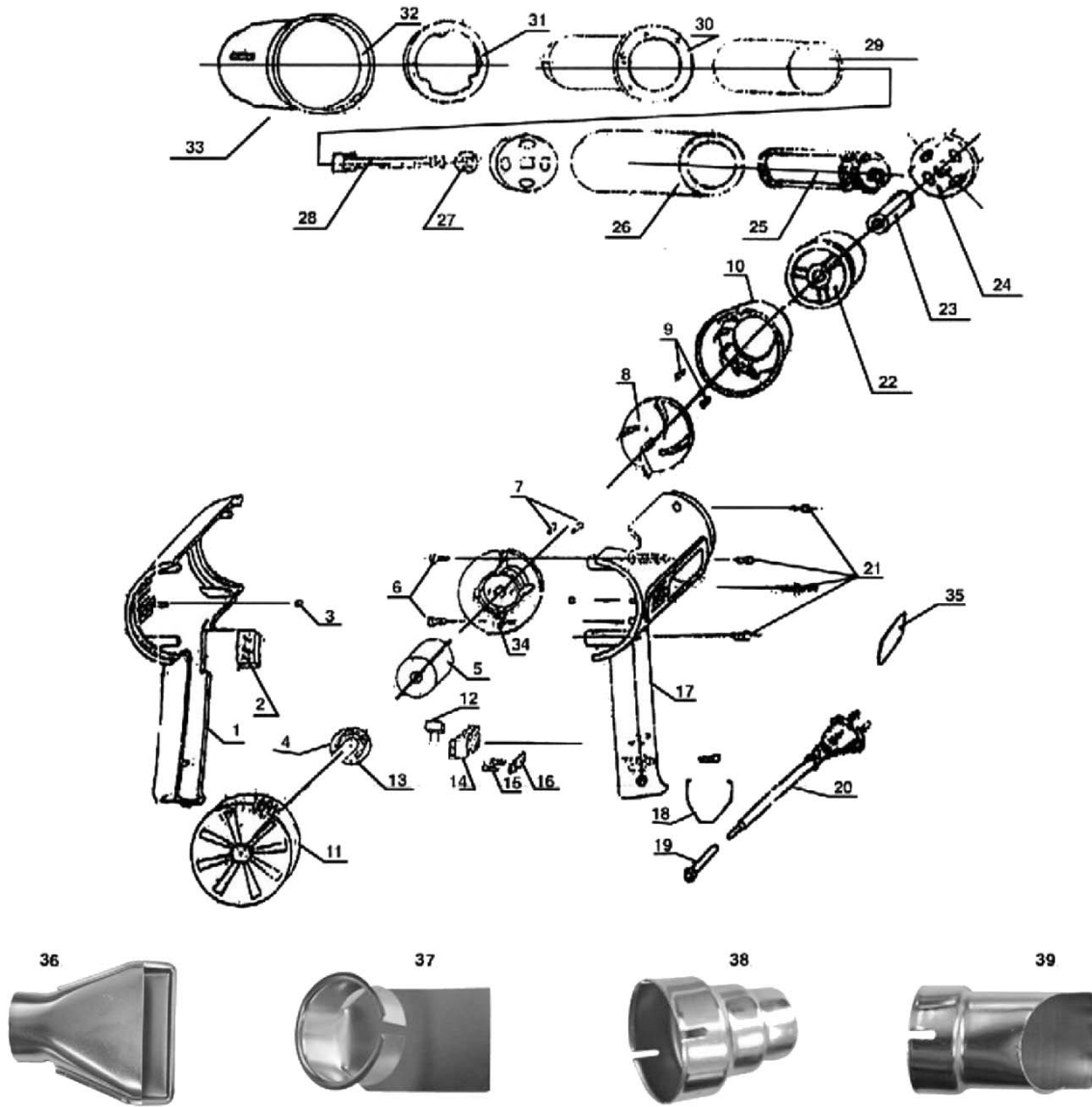
Frequently blow dust out of the motor area, using an air compressor or dust vacuum. Keep the tool clean, dry and free of oil and grease. Use only mild soap and a damp cloth to clean your tool. Certain cleaning agents and solvents are harmful to plastic and other insulated parts. Do not use gasoline, turpentine, lacquer thinner, paint thinner, chlorinated cleaning solvents, ammonia, or household cleaning detergents containing ammonia.

WARNING: TO AVOID FIRE OR TOXIC REACTION, DO NOT USE GASOLINE, NAPHTHA, ACETONE, LACQUER THINNER, OR SIMILAR HIGHLY VOLATILE SOLVENTS TO CLEAN THE HEAT GUN.

WARNING: TO AVOID INJURY, ELECTRIC SHOCK, OR DAMAGE TO THE TOOL, NEVER IMMERSE THE TOOL IN LIQUID OR ALLOW A LIQUID TO FLOW INSIDE IT.



ATD-3736



ITEM#	ORDERING PART#	PART DESCRIPTION	ITEM#	ORDERING PART#	PART DESCRIPTION
1	PRT3736-01	LEFT HOUSING	21	PRT3736-06-33	SCREW SET
2	PRT3735-19	SWITCH	22	PRT3736-22	FIX SLEEVE
3	PRT3736-03	SHOCK PROOF PAD	23	PRT3736-23	CERAMIC TUBE
4	PRT3736-04	PCB ASSY	24	PRT3736-24	COVER
5	PRT3736-05	MOTOR RS 365SH	25	PRT3735-04	HEATING ELEMENT
6	PRT3736-06-33	SCREW SET	26	PRT3736-26	CERAMIC TUBE
7	PRT3736-06-33	SCREW SET	27	PRT3736-27	WASHER
8	PRT3736-08	FAN	28	PRT3736-28	CONNECTOR PIECE
9	PRT3736-06-33	SCREW SET	29	PRT3736-29	MICA PAPER
10	PRT3736-10	WIND HOOD	30	PRT3736-30-31	WIND TUBE ASSY
11	PRT3736-11	REGULATOR	31	PRT3736-30-31	WIND TUBE ASSY
12	PRT3736-04	PCB ASSY	32	PRT3736-32	WIND TUBE SHEATH
13	PRT3736-04	PCB ASSY	33	PRT3736-06-33	SCREW SET
14	PRT3736-14	WIRE CONDUCTOR	34	PRT3736-34	MOTOR SUPPORT
15	PRT3736-06-33	SCREW SET	35	PRT3736-35	BRAND
16	PRT3736-16	WIRE STRAIN PLATE	36	PRT3736-36	FLATTEN DISCHARGE OUTLET
17	PRT3736-17	RIGHT HOUSING	37	PRT3736-37	45 DEGREE DISCHARGE
18	PRT3736-18	RING	38	PRT3736-38	DIAMETER REDUCER OUTLET
19	PRT3736-19	SHEATH	39	PRT3736-39	ECCENTRIC DISCHARGE
20	PRT3736-20	POWER CORD	n/s	PRT3736-CASE	BLOW MOLDED CASE