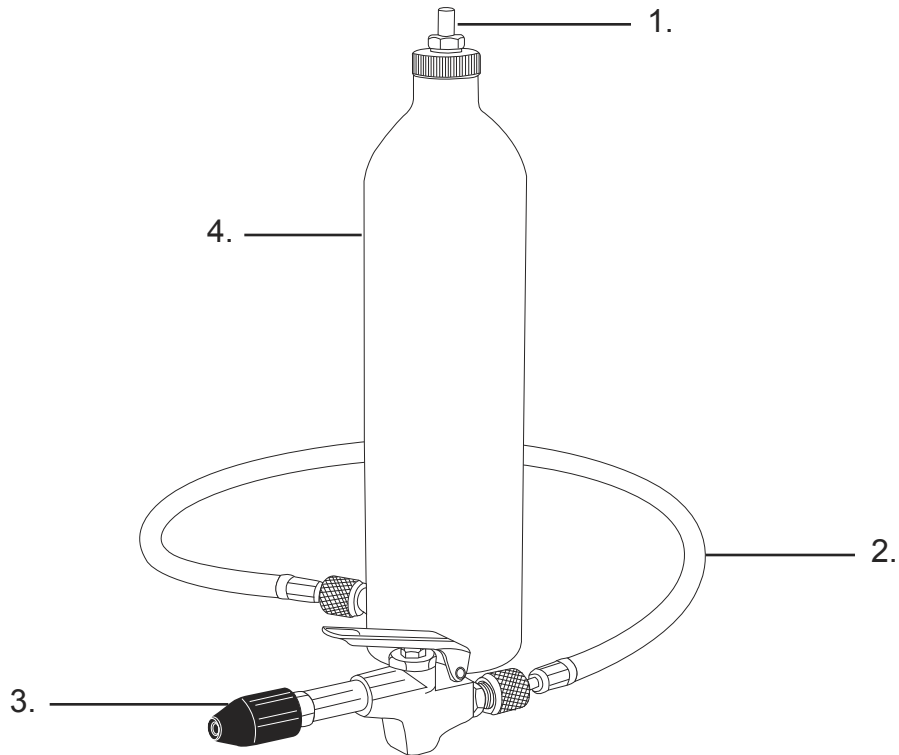




A/C SYSTEM FLUSH KIT

ATD-3545 REPAIRABLE PARTS BREAKDOWN



REF. #	DESCRIPTION	PART #
1.	FLUSH CYLINDER NUT ASSEMBLY	91143
2.	36" STANDARD HOSE	41362
3.	FLUSH GUN ASSEMBLY WITH RUBBER TIP	91092-A
4.	FLUSH CYLINDER ONLY	1046-X