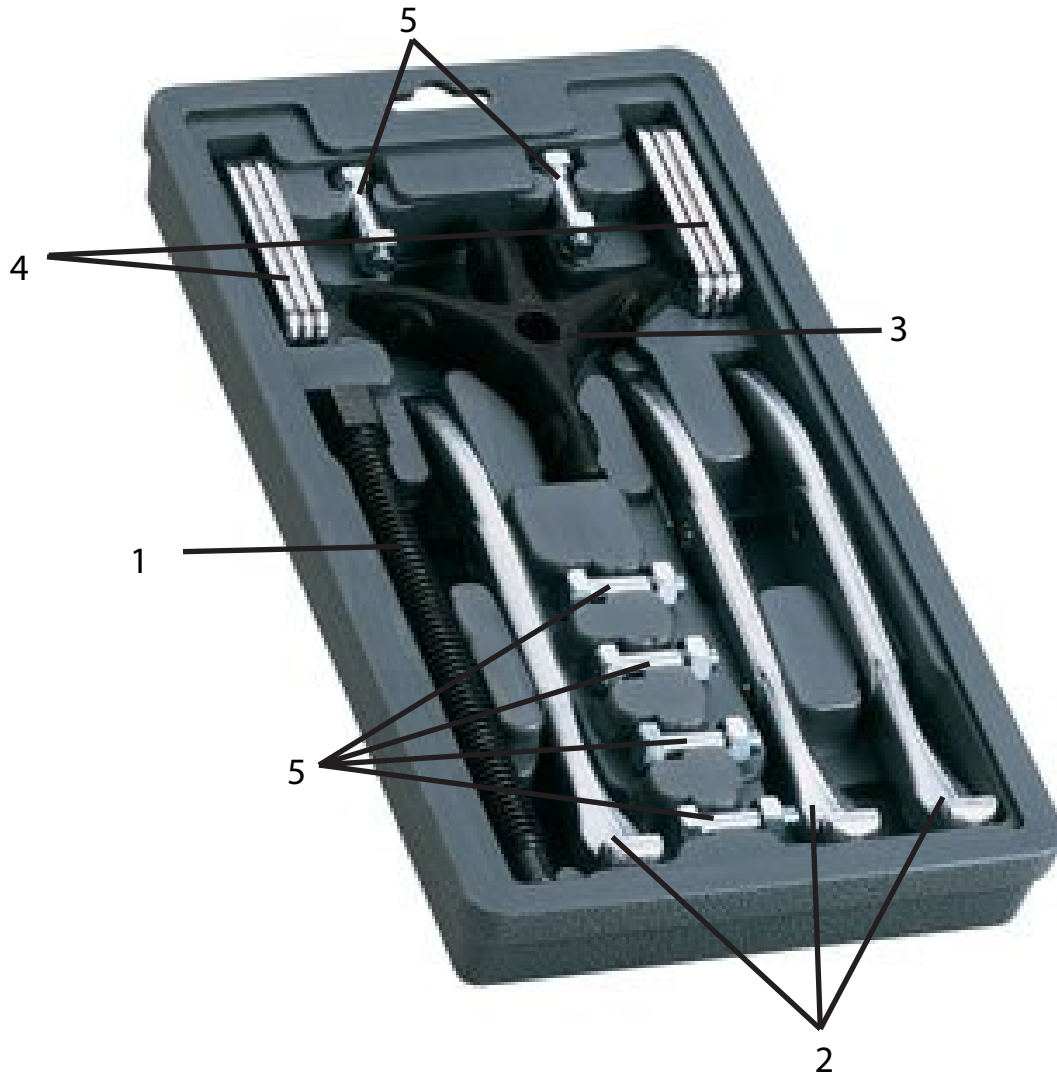




# ATD-3044



ITEM#	ORDERING PART#	PART DESCRIPTION
1	PRT3044-01	BOLT (13.5MMx170MMx10 TPI)
2	PRT3044-02	6" LEG
3	PRT3044-03	CROSS HEAD
4	PRT3044-04	STEEL PLATE
5	PRT3044-05	SCREW & NUT