



ATD-30331
30" INDUSTRIAL NON-OSCILLATING WALL MOUNTED FAN
OWNER'S MANUAL



Model Number	Size	Voltage/Frequency	Current (Amps)
ATD-30331	30" (750 mm)	120V/60Hz	1.4


⚠ WARNING ⚠


WARNING: This product contains chemicals, including lead, known to the State of California to cause cancer, birth defects or other reproductive harm. **Wash hands after handling.**

READ AND SAVE THESE INSTRUCTIONS


Failure to properly follow these instructions may lead to injury or bodily harm.


General Safety Warnings:


 **WARNING:** The instructions and warnings contained in this manual should be read and understood before using or operating this fan. Do not allow anyone to use or operate this fan until they have read this manual and have developed a thorough understanding of how this fan works. Failure to observe any of the following instructions could result in severe personal injury to fan user and bystanders, or cause damage to the fan and property. Keep this manual for future reference.


 **Note:** The warnings and cautions discussed in this instruction manual cannot cover all possible conditions and situations that may occur. It must be understood by the operator that common sense and caution are factors which cannot be built into this product, but must be supplied by the operator.


Electrical Safety Warnings:


 **WARNING:** Read all safety warnings and instructions. Failure to follow all warnings and instructions may result in electric shock, fire and/or serious injury or death.


 **WARNING:** Before connecting a fan to a power supply, always check to ensure the power supply corresponds to the voltage on the nameplate of the fan. A power supply with a voltage greater than that specified for the fan can result in serious injury to the user, as well as damage to the fan. Using a power supply with a voltage less than the nameplate rating is harmful to the motor. If in doubt, do not plug in the fan.


 **WARNING:** Grounded fans must be plugged into an outlet properly installed and grounded in accordance with all codes and ordinances. This fan is equipped with a 3-prong plug and a 3-wire grounding system. Never remove the grounding prong or modify the plug in any way. Do not use any adapter plugs. Check with a qualified electrician if you are in doubt as to whether the outlet is properly grounded.


 **NOTE:** Double insulated fans are equipped with a polarized plug (one blade is wider than the other). This plug will fit in a polarized outlet only one way. If the plug does not fit fully in the outlet, reverse the plug. If it still doesn't fit, contact a qualified electrician to install a polarized outlet. Do not change the plug in any way.


 **WARNING:** To reduce the risk of electric shock, DO NOT use in damp conditions, on wet surfaces, or expose to rain. Do not plug in this fan or operate it with wet hands or while standing in water.


 **WARNING:** Never use the cord for carrying, pulling or unplugging the fan. Grasp plug and pull to disconnect from outlet. Keep cord away from heat, oil, sharp edges or moving parts. Replace damaged cords immediately.


 **WARNING:** Ensure the switch is in the off position before plugging the fan into the power outlet. In the event of a power failure while the fan is being used, turn the switch off to prevent surprise starting when the power is restored.


 **WARNING:** Always remove the power cord from the electric outlet when making adjustments, changing parts, cleaning or working on the fan.


 **WARNING:** Care should be taken to arrange the cord so it will not be stepped on, tripped over, or otherwise subjected to damage or stress.


 **WARNING:** Never attempt to plug in or operate equipment with defective or damaged wires, power cord or power cord plug. Have any defective or damaged parts replaced immediately by qualified personnel.


 **WARNING:** Avoid body contact with electrically grounded surfaces. There is an increased risk of electric shock if your body is grounded.

 **WARNING:** If the work area is not equipped with a permanently installed Ground Fault Circuit Interrupter outlet (GFCI), use a plug-in GFCI between the fan and the power receptacle.

 **WARNING:** This fan is for **INDOOR** use **ONLY**.

 **WARNING:** Do **NOT** use extension cords with this fan.

 **WARNING:** Never operate this fan without the protective front and rear guards in place. Do not stick anything through the guards that will come in contact with the moving blades (fingers, tools, etc.). Personal injury will result.

 **WARNING:** Never use this fan with any mister or spray attachment of any kind.

CAUTION

Read and follow all instructions before operating fan. Do not use fan if any part is damaged or missing.

SPECIFIC SAFETY WARNINGS

To reduce the risk of fire or electric shock, DO NOT use this fan with any solid state speed control device. This appliance has a three-prong grounded plug that must be inserted into a matching outlet. To reduce the risk of electric shock, the grounding plug must not be cut off the plug. Where a two-prong wall outlet is encountered, it must be replaced: contact a qualified electrician. Do not use the three-prong plug with a two-prong adapter. Do NOT attempt to defeat this safety feature. Use your fan only with adequate wiring that is up to local regulation requirement. Connect to properly grounded outlets only.

RULES FOR SAFE OPERATION

- Do not insert fingers or any objects through the guard when fan is in operation.
- Disconnect fan when not in use.
- Disconnect fan when moving from one location to another.
- Disconnect fan when removing guards for cleaning.
- Make sure fan is on a stable, flat surface when in operation.
- Do not use fan in windows. Rain and moisture may create an electrical hazard.
- Do not operate fan without fan guards properly locked.
- Do not use with extension cord.
- Do not place fan or any parts near an open flame, cooking or other heating appliance.
- Do not operate fan with a damaged cord or plug, especially when this unit has been malfunctioned, dropped or damaged.
- Close supervision is necessary when this unit is used by or near children.

OPERATING INSTRUCTIONS

Connect power plug to standard 120-volt AC outlet. Caution: Make sure the speed control is in "0" (off) position TO ADJUST AIRFLOW UPWARD OR DOWNWARD: Tilt the fan head to the desired angle as outlined in step 11 of the installation instructions.

SPEED CONTROL: Change the setting on the speed control to the desired setting-low "1", medium "2" or high "3". It is normal for the motor to feel warm to the touch during operation. The motor is thermally protected and will automatically shut off if it overheats. If this happens immediately disconnect the fan from the power outlet. The fan has three different speeds. Pull power chain once to operate the low speed and allow to operate for 10 seconds. Once 10 seconds have passed, you can pull the power chain to the medium or high position.

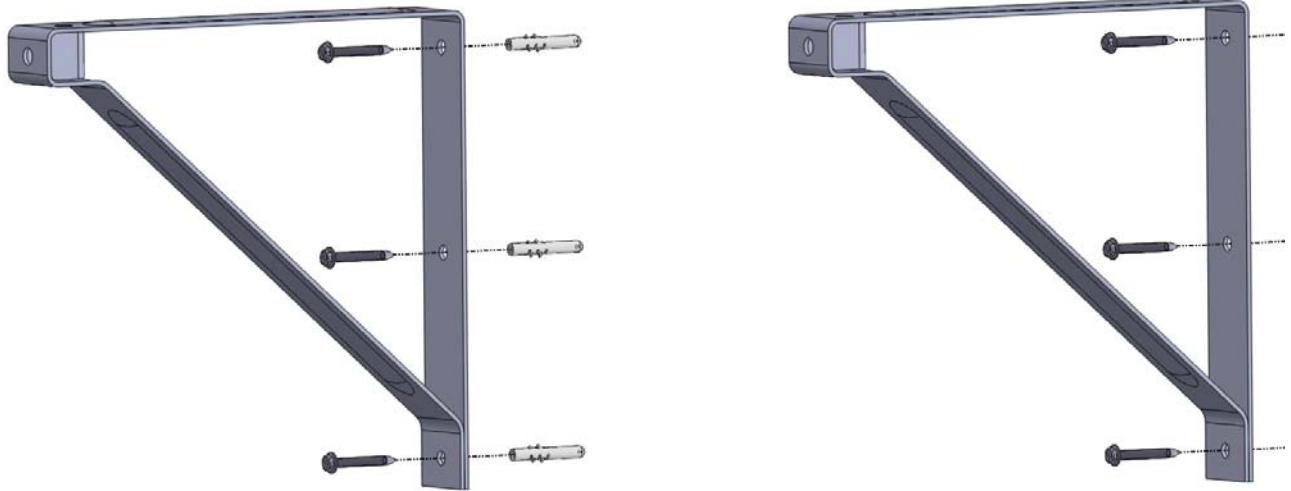
CLEANING

WARNING: Unplug from electrical supply source before cleaning. After servicing, any safety device (including grilles and blades) must be reinstalled or remounted as previously installed.

- Use soft damp cloth then dry with dry cloth.
- Do not use harmful cleaners.
- Do not bend the blades.
- Slightly moisten a cloth and then wipe off the surfaces of the fan.
- To remove the dust from the grill, use a vacuum cleaner, or remove the front grill.
- After cleaning, remount the front grill.

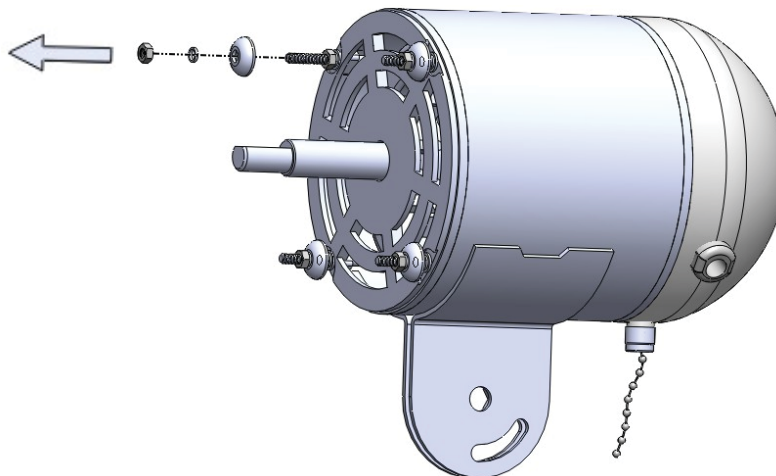
DO NOT IMMERSE THE MOTOR IN WATER

ASSEMBLY INSTRUCTIONS

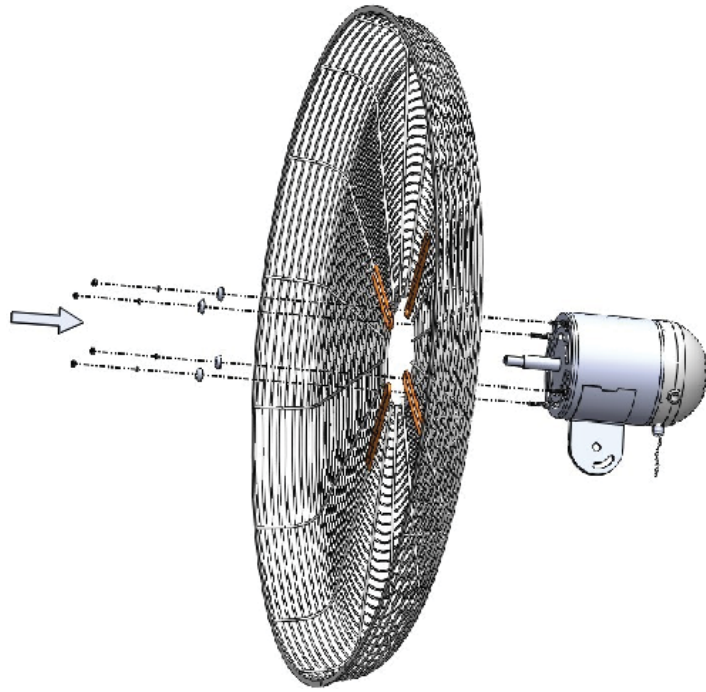


CAUTION: This fan is only suitable for mounting in studs or in a concrete wall. Do not use on dry wall, or other hollow wall mounting. Use the mounting accessories shipped with products for wall mounting.

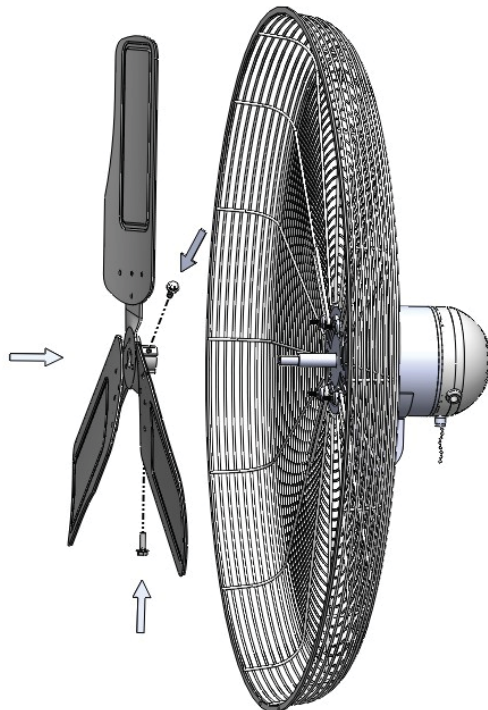
1. Locate your wall stud or suitable place on your concrete wall to mount your fan. Ideally, close to a power outlet.
2. Mark the hole locations by using the bracket, and then drill the holes.
3. For concrete wall installation, drill holes the same diameter as the wall anchors. After drilling, insert the wall anchors and tap them flush with the wall, position the bracket and then screw the screws into the anchors, securely attaching the bracket to the wall.
4. For wall stud installation, drill a pilot hole with a diameter smaller than that of your screws first, then position the bracket and screw the screws into the wall until they are secure.



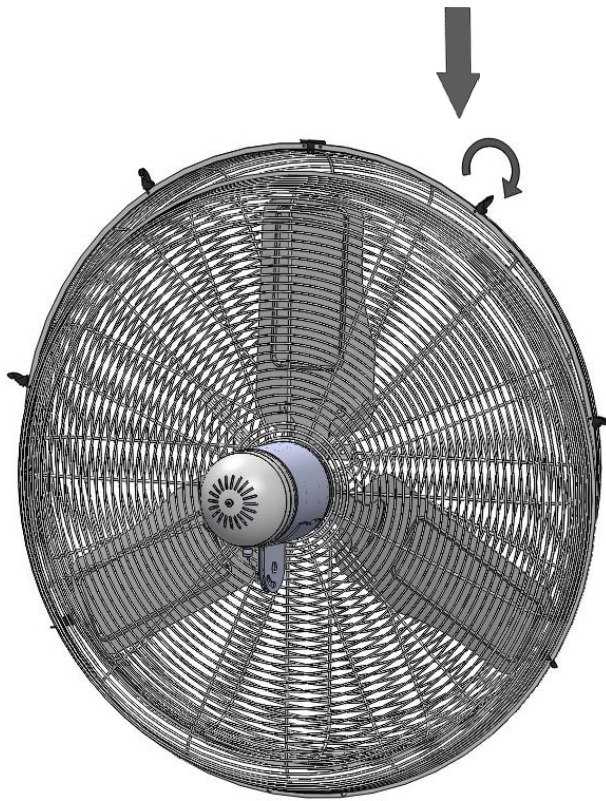
5. Remove four sets of hex nuts, spring washers and bowl washers from motor. Save them for step 6.



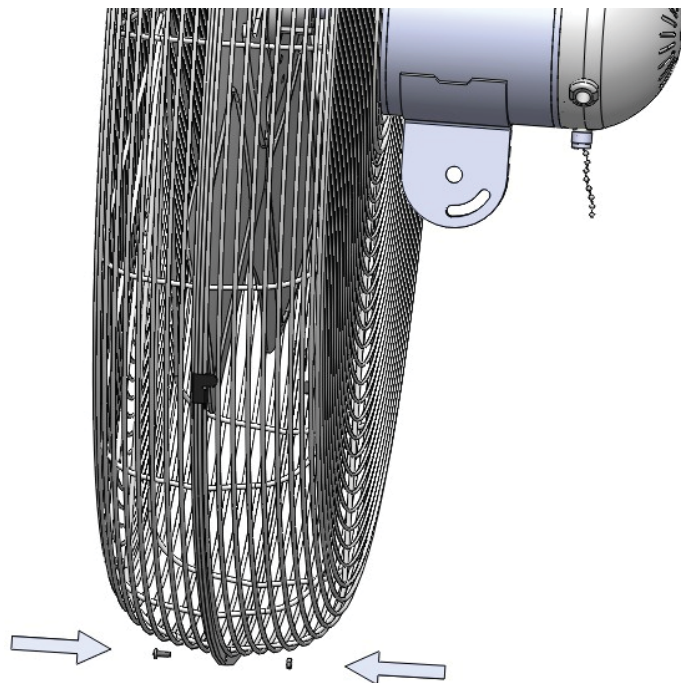
6. Set rear guard in proper position, with hole in guard frame at the bottom, and fix it to motor by securing with the hex nuts, spring washers and bowl washers that you removed in step 5.



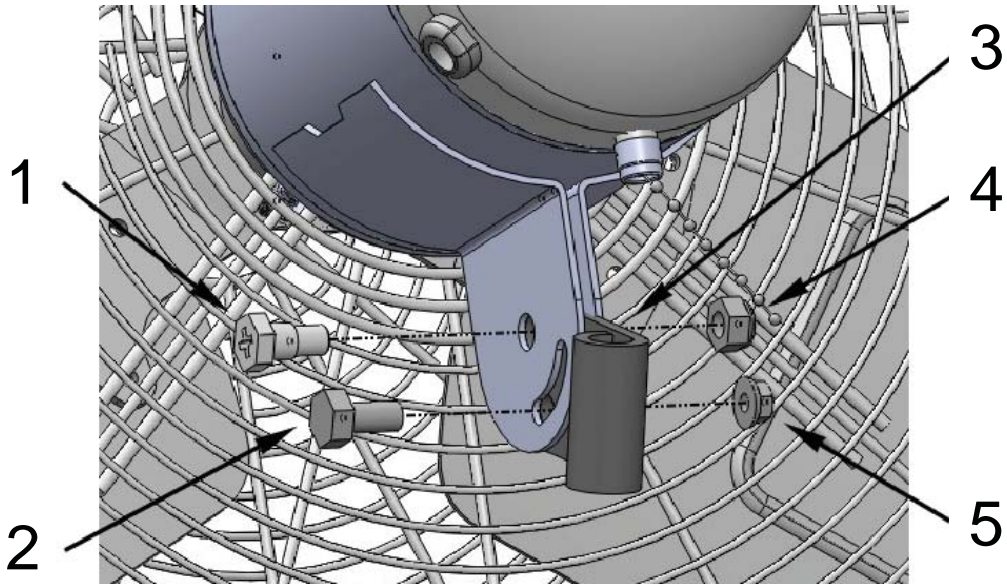
7. Assemble fan blade onto motor shaft by tightening the two screws. Make sure the screws are secured tightly.



7. Assemble front guard to rear guard by fixing both guards together with clips on the rim of front guard positioning the hole in the guard rim at the bottom to match that of the rear guard.

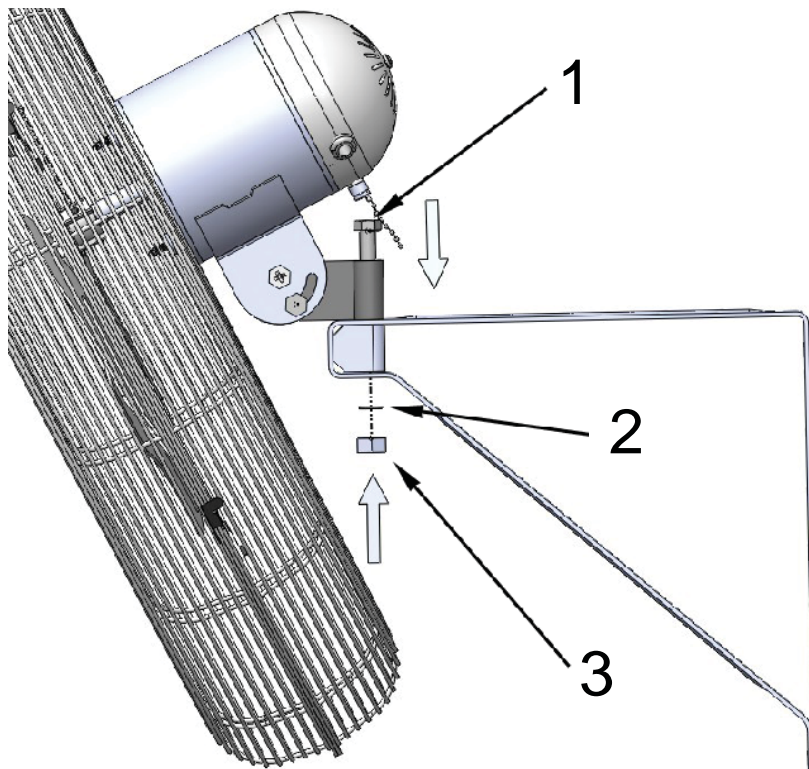


8. Secure the assembly of front and rear guards by tightening a screw and nut through the hole at the bottom position of the guards.



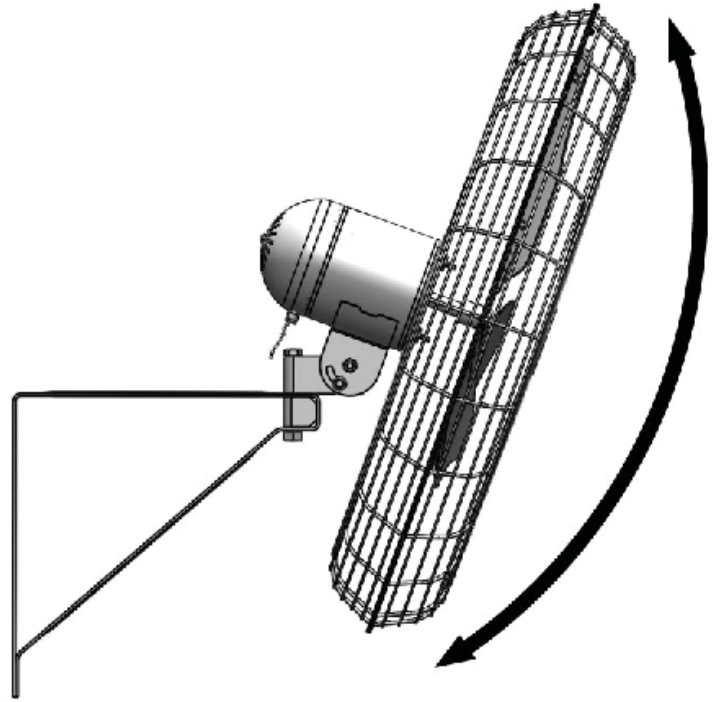
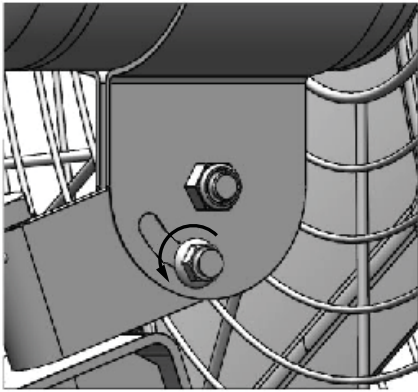
9. Insert the upper bracket into motor frame with screws as follows:

- a) Slide upper bracket #3 into motor frame bracket.
- b) #1 screw M8 x 18 matches to #4 hex nut, secure through fixed center hole.
- c) #2 screw M8 x 20 matches to #5 M8 shoulder nut, secure through slotted hole.



10. Attach fan to wall mounted bracket as follows:

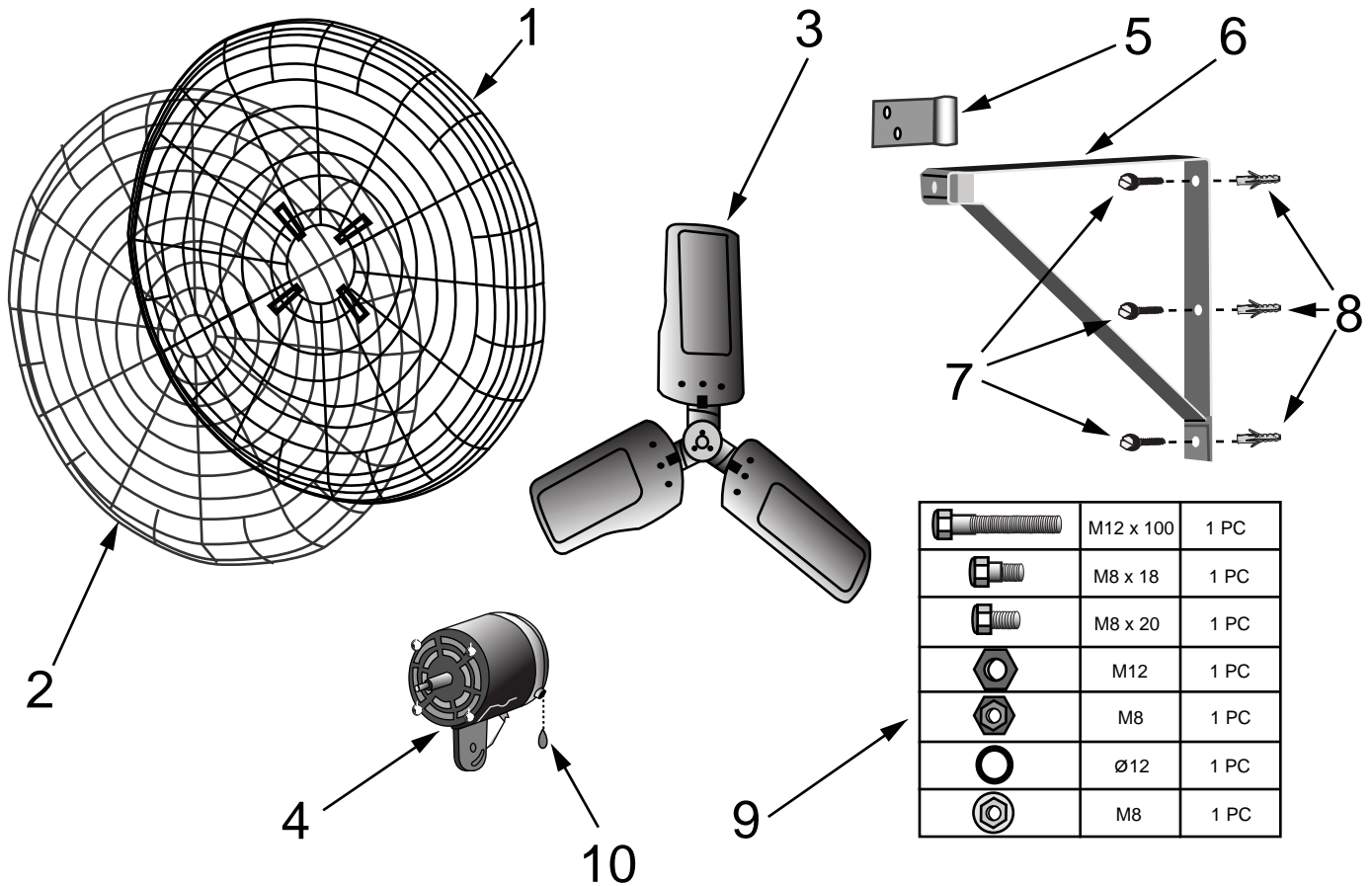
- a) Insert #1 M12 x 100 screw through the upper bracket (attached to fan).
- b) Slide #1 screw through mounting hole in wall bracket.
- c) Secure #1 screw with #2, Ø12 spring washer and #3 M12 hex nut.



11. To adjust tilt of fan, loosen nut and bolt assembly in the slotted hole, tilt fan to desired angle and tighten nut and bolt assembly to secure.



ATD-30331



	M12 x 100	1 PC
	M8 x 18	1 PC
	M8 x 20	1 PC
	M12	1 PC
	M8	1 PC
	Ø12	1 PC
	M8	1 PC

ITEM#	ORDERING PART#	PART DESCRIPTION
1	PRT30330-01	FRONT & REAR GUARD, CED406-ATD-P1
2	PRT30330-01	FRONT & REAR GUARD, CED406-ATD-P1
3	PRT30330-02	FAN BLADE, 1 SET, CED406-ATD-P2
4	PRT30330-04	MOTOR, 1 PC, CED406-ATD-P4
5	PRT30331-05	SWIVEL BRACKET 1 PC, CED3174-ATD-P5
6	PRT30331-06	BRACKET, 1 PC, CED3174-ATD-P6
7	PRT30331-07	SCREW ST6 x 50 BOLT & WALL ANCHOR 3 PCS, CED3174-ATD-P7
8	PRT30331-07	SCREW ST6 x 50 BOLT & WALL ANCHOR 3 PCS, CED3174-ATD-P7
9	PRT30331-09	HARDWARE KIT*, CED3174-ATD-P9
10	PRT30330-10	PULL SWITCH, CED406-ATD-P10

*HARDWARE KIT INCLUDES:

- 1) SCREW M12 x 100, 1 PC
- 2) SCREW M8 x 18, 1 PC
- 3) SCREW M8 x 20, 1 PC
- 4) HEX NUT M12, 1 PC
- 5) HEX NUT M8, 1 PC
- 6) WASHER Ø12, 1 PC
- 7) NYLON NUT M8, 1 PC