



# **ATD-10802**

## **4.8V CORDLESS SCREWDRIVER W/PISTOL GRIP & 100 BITS**

### **Introduction**

For correct usage, read these instructions carefully and keep in a safe place for future reference.

### **GENERAL SAFETY RULES**

Failure to follow all instruction listed below, may result in electric shock, fire and/or serious personal injury.

### **Work Area**

1. To prevent accidents, keep your work area clean and well lit.
2. Do not operate power tools in explosive atmospheres, such as in the presence of flammable liquids, gases, or dust. Power tools create sparks, which could ignite dust or fumes.
3. Keep bystanders, children and visitors away while operating a power tool. Distractions can cause you to lose control.

### **Electrical Safety**

1. Never carry the tool by the power cord and keep the cable away from heat, oil, sharp edges, or moving parts. If the power cord is damaged, replace it immediately to prevent the risk of fire.
2. The battery must only be recharged with the charger included. A charger that may be suitable for one type of battery may create a risk of fire when used with another battery.

### **Personal Safety**

1. Stay alert and use extreme caution when operating a power tool. Do not use any tool while tired or under the influence of drugs, alcohol, or medication. A moment of carelessness while operating any power tool can result in serious personal injury.
2. To reduce the risk of injury, never wear loose fitting clothing or jewelry when operating the tool and keep your hands from the moving parts. If you have long hair keep it tied back.
3. To avoid accidental start up make sure the safety switch is in the locked position before inserting the battery.

4. To maintain full control of the tool, do not overreach and keep your weight evenly balanced over both feet.
5. Always use suitable safety equipment including eye protection, dust mask, non-slip safety shoes, and ear protection.

## Tool Use and Care

1. Use clamps to secure and support the work piece to stable platform. Holding the work piece by hand or against your body is unstable and may lead to lose of control.
2. Only use the tool for the purpose for which it was intended and never use force.
3. If the ON/OFF switch is faulty do not use the tool and take it to your local repair facility for repair.
4. When not in use store the tool out of reach of children.
5. Check the tool regularly for signs of damage and if repair is needed take it to your local repair facility.
6. Use only accessories that are recommended by the manufacturer for your model. Accessories that may be suitable for one tool may create a risk of injury when used on another tool.

## Service

1. Tool service must be performed by your repair facility. Service or maintenance performed by an unqualified person could result in a risk of injury.
2. When servicing a tool, use only identical replacement parts. Follow instructions in the maintenance section of this manual. Use of unauthorized parts or failure to follow maintenance instructions may result in electric shock or injury.

## SPECIFIC SAFETY RULES

1. Keep hands clear of moving parts.
2. Do not touch moving parts. Allow the power tool accessories (bits and sockets etc) to cool before touching them. They can become extremely hot during use and can burn your skin.
3. Always wear protective safety glasses when operating power tools and a face mask when the environment is dusty.

## Controls and Components:

### Pistol Driver:

1. Keyless chuck
2. Worklight
3. LED Battery indicator lights
4. LED Battery level indicator button
5. Forward/Reverse switch

### Accessories:


6. AC adaptor



## Charging the battery:

1. Place the tool on a clean dry surface within 3 feet (1 meter) of a plug point.
2. Insert AC adaptor into the charging port located on the back of the unit.
3. Plug the AC adaptor into the power supply.
4. Allow 5 to 7 hours for the battery to fully charge.
5. When the battery has fully charged disconnect the charger from the power supply.
6. The LED battery level indicator tells you the amount of charge that you have on the battery.
7. When all 3 lights (RED, YELLOW and GREEN) are illuminated, the battery is functioning at full capacity.
8. When 2 lights (YELLOW and RED) are illuminated, this indicates that the battery capacity is beginning to diminish.
9. When only 1 light (RED light) is illuminated, this indicates that the battery capacity is low and the unit needs to be charged.

## Operation:

1. Hold the tool firmly with both bands and insert the bit until it snaps into place.
2. Start the tool by squeezing the Forward/Reverse trigger switch. Press the top of the switch to turn the screw FORWARD. Press the bottom of the switch to REVERSE the screw.
3. To turn the worklight on, slide the worklight ON/OFF switch forward to the ON (  ) position.

Slide the switch back to the (  ) position to turn the light OFF.

## Screwdriver does not work?

- Press the LED battery level indicator and make sure that the unit is fully charged.

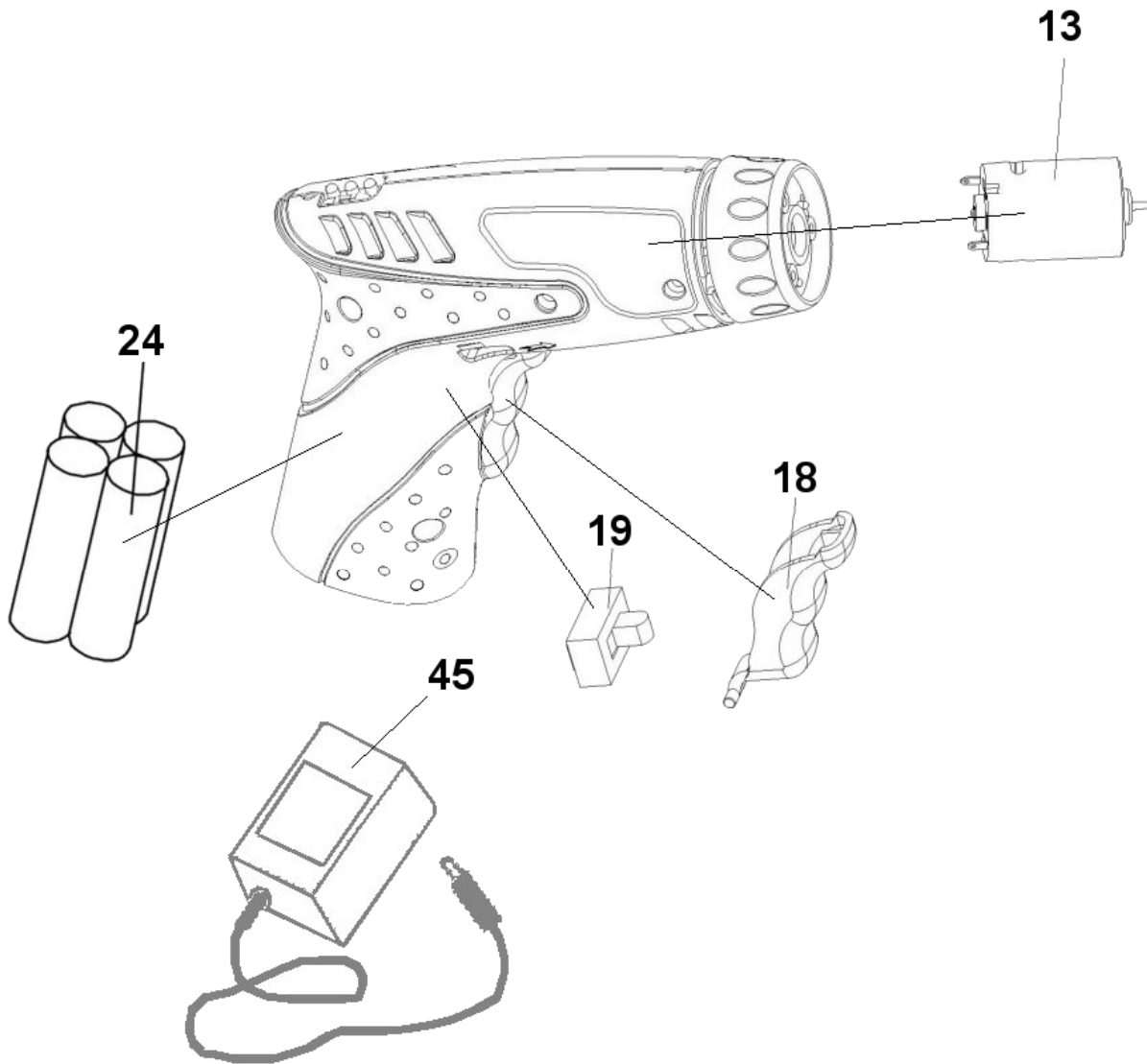
## Maintenance:

- Use only mild soap and a damp cloth to clean the tool.
- Do not allow any liquids to get inside the tool.
- Do not immerse any part of the tool in liquids.

## SPECIFICATIONS:

Voltage	4.8 Volts (DC)
Torque	3.8N.m
Speed (No load)	180min
AC Adaptor	1pc
Input	120Volts/60Hz
Output	6Volts (DC)/300mA
Charging Time	5 to 7 hours (max.10hours)

**ATD-10802**



ITEM#	ORDERING PART#	PART DESCRIPTION
13	PRT10802-13	MOTOR
18	PRT10802-18	TRIGGER
19	PRT10802-19	SWITCH
24	PRT10802-24	BATTERY PACK
45	PRT10802-45	AC CHARGER